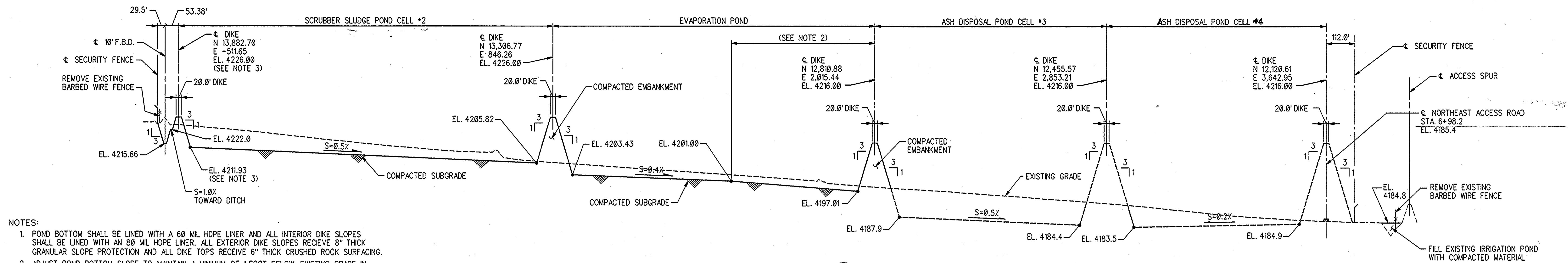
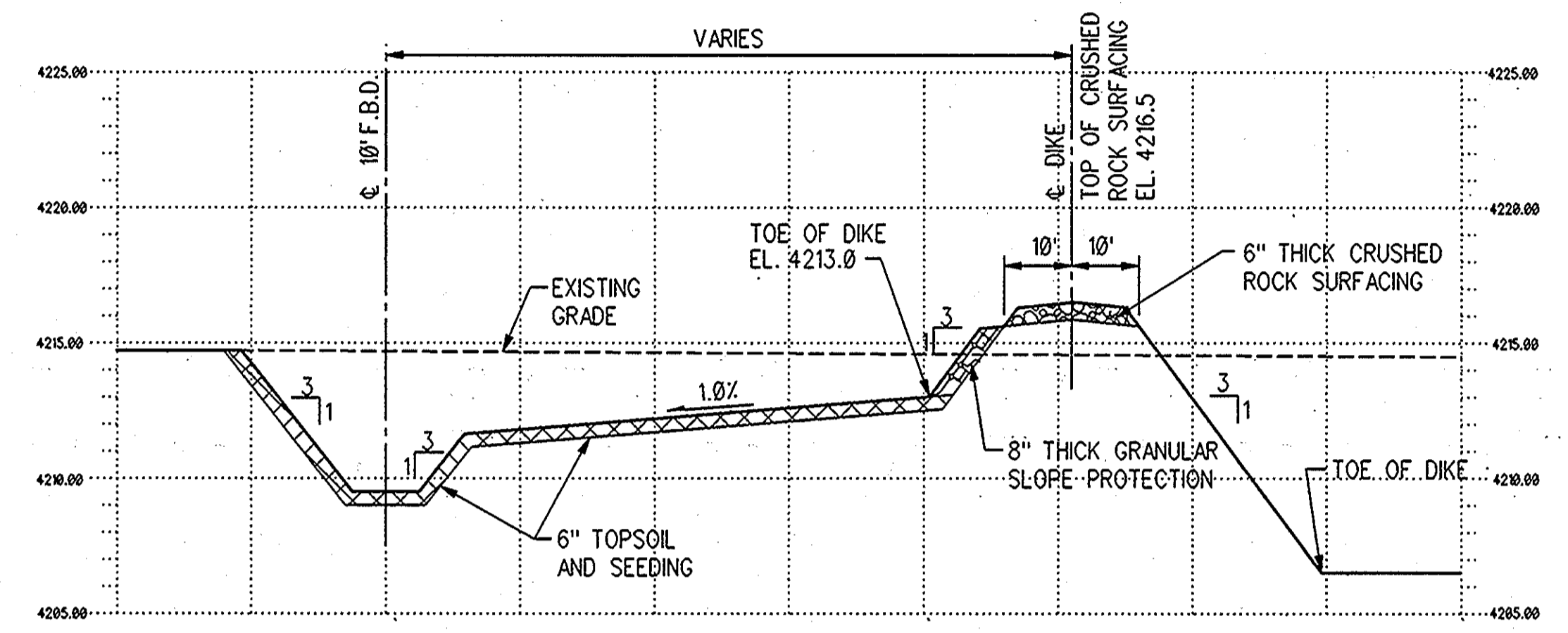
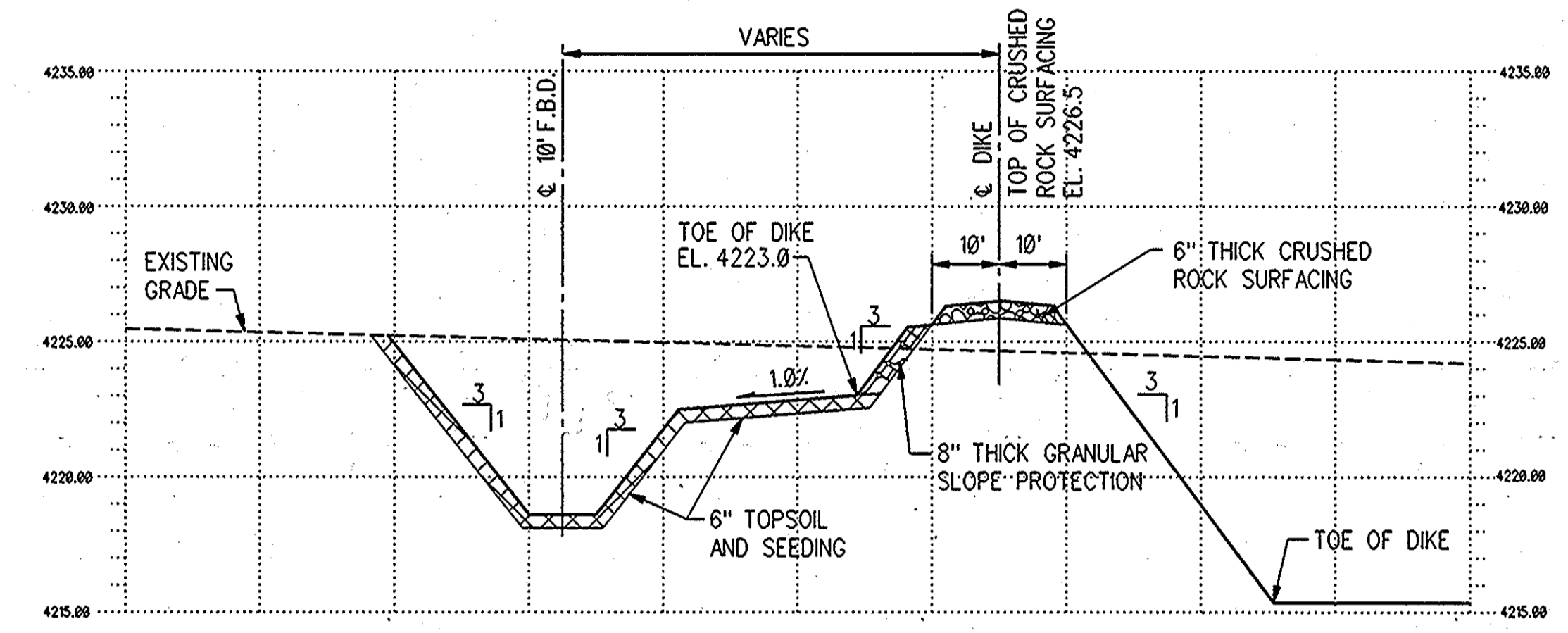
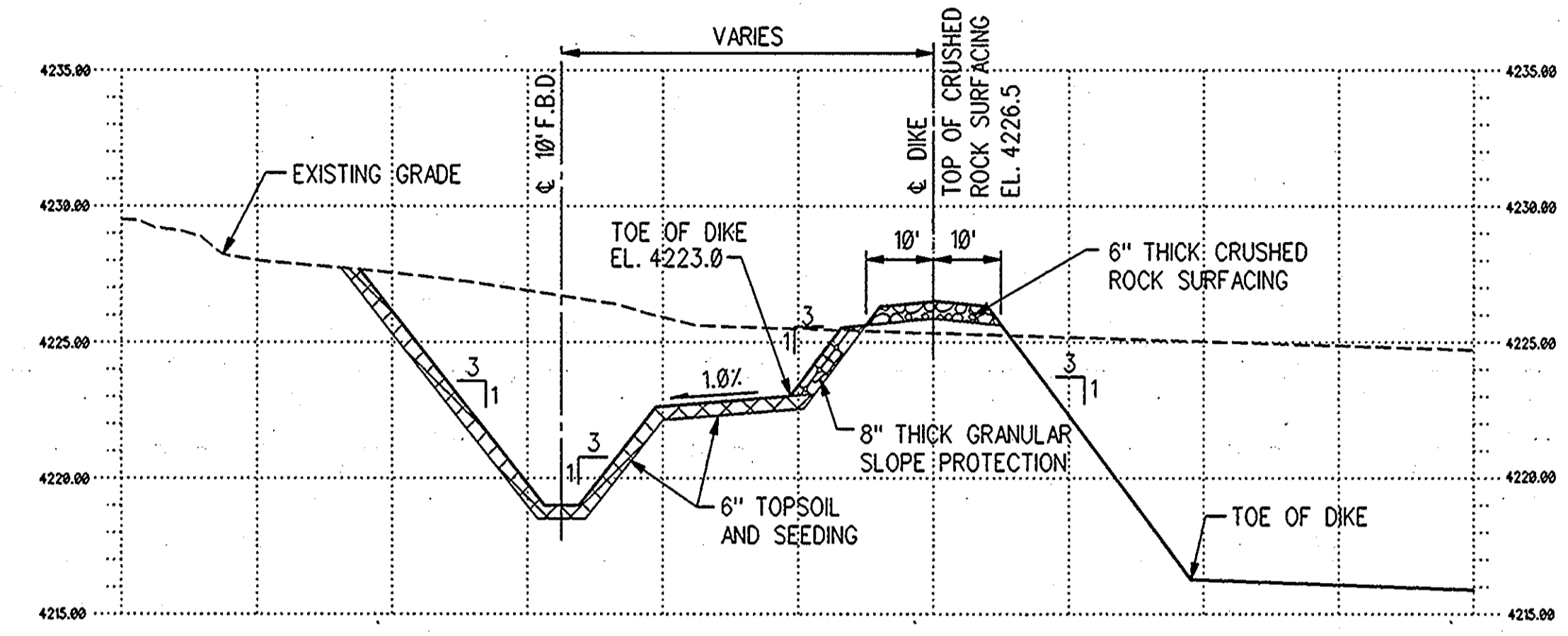


no.	date	by	revision
0	3-10-94	TLL	ISSUED TO OWNER FOR BID
1	9-20-94	TLL	ISSUED AS BID
1	4-8-96	DLM	CONFORMING TO CONSTRUCTION RECORDS
B	1/27/97	CRM	DCN 96/104, C. Reece/C. Walling



- NOTES:
- POND BOTTOM SHALL BE LINED WITH A 60 MIL HDPE LINER AND ALL INTERIOR DIKE SLOPES SHALL BE LINED WITH AN 80 MIL HDPE LINER. ALL EXTERIOR DIKE SLOPES RECEIVE 8" THICK GRANULAR SLOPE PROTECTION AND ALL DIKE TOPS RECEIVE 6" THICK CRUSHED ROCK SURFACING.
 - ADJUST POND BOTTOM SLOPE TO MAINTAIN A MINIMUM OF 1 FOOT BELOW EXISTING GRADE IN AREAS WHERE POND BOTTOM SLOPE ENCLOSES UPON THE TOPSOIL OR CREATES A FILL AREA.
 - ALL SECTION ELEVATIONS ARE TOP OF SUBGRADE OR TOP OF COMPACTED EMBANKMENT UNLESS OTHERWISE INDICATED.

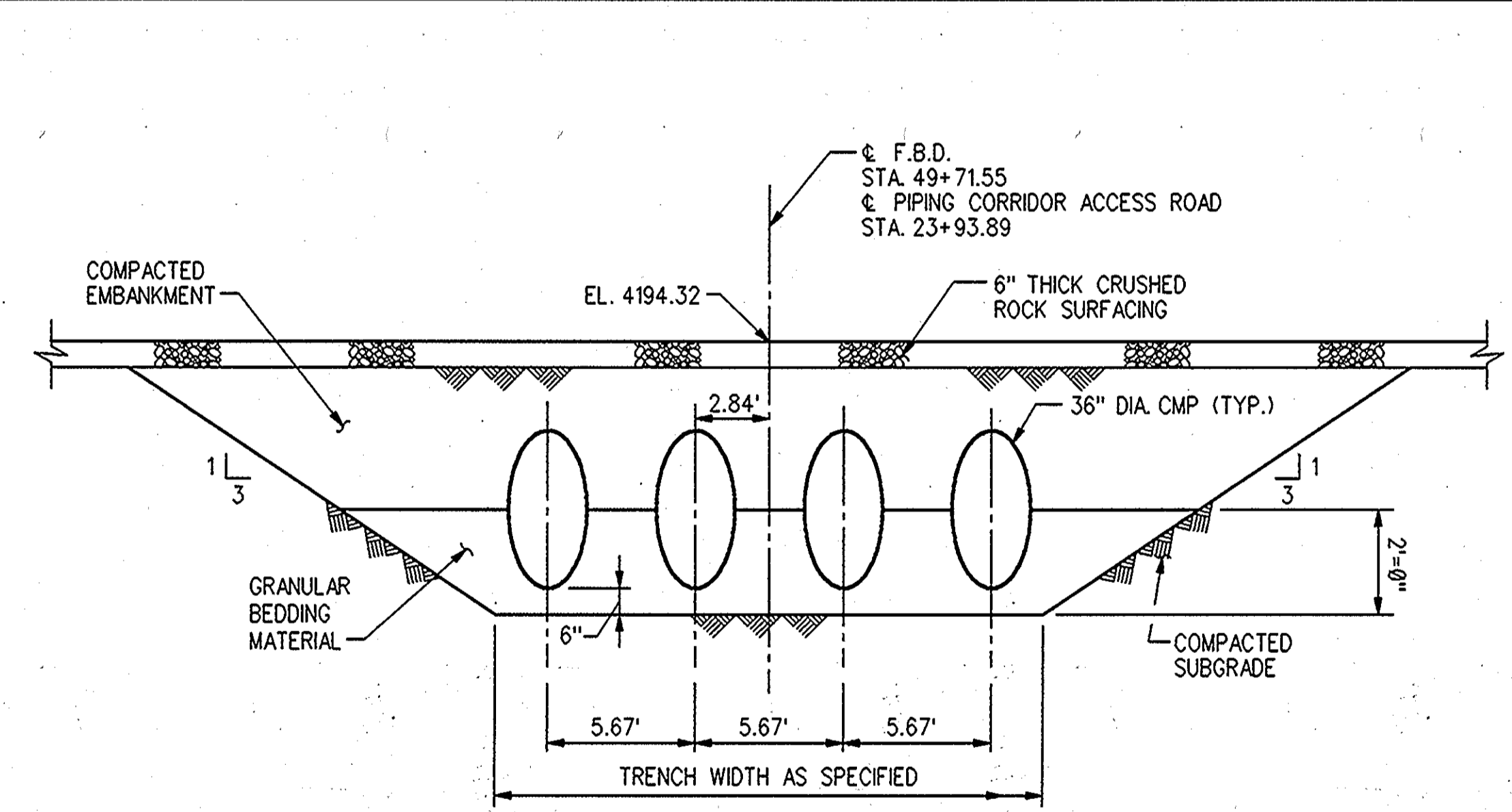
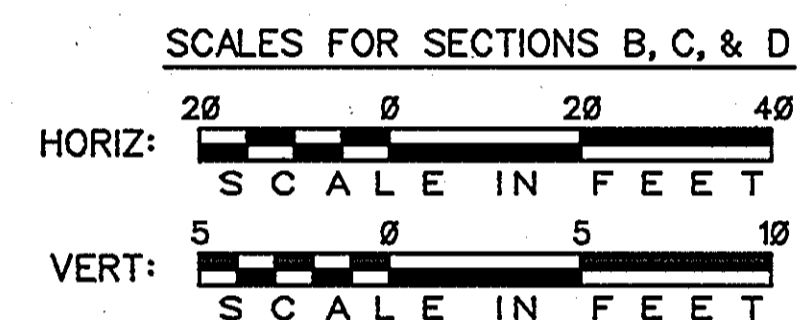
SECTION A
NOT TO SCALE



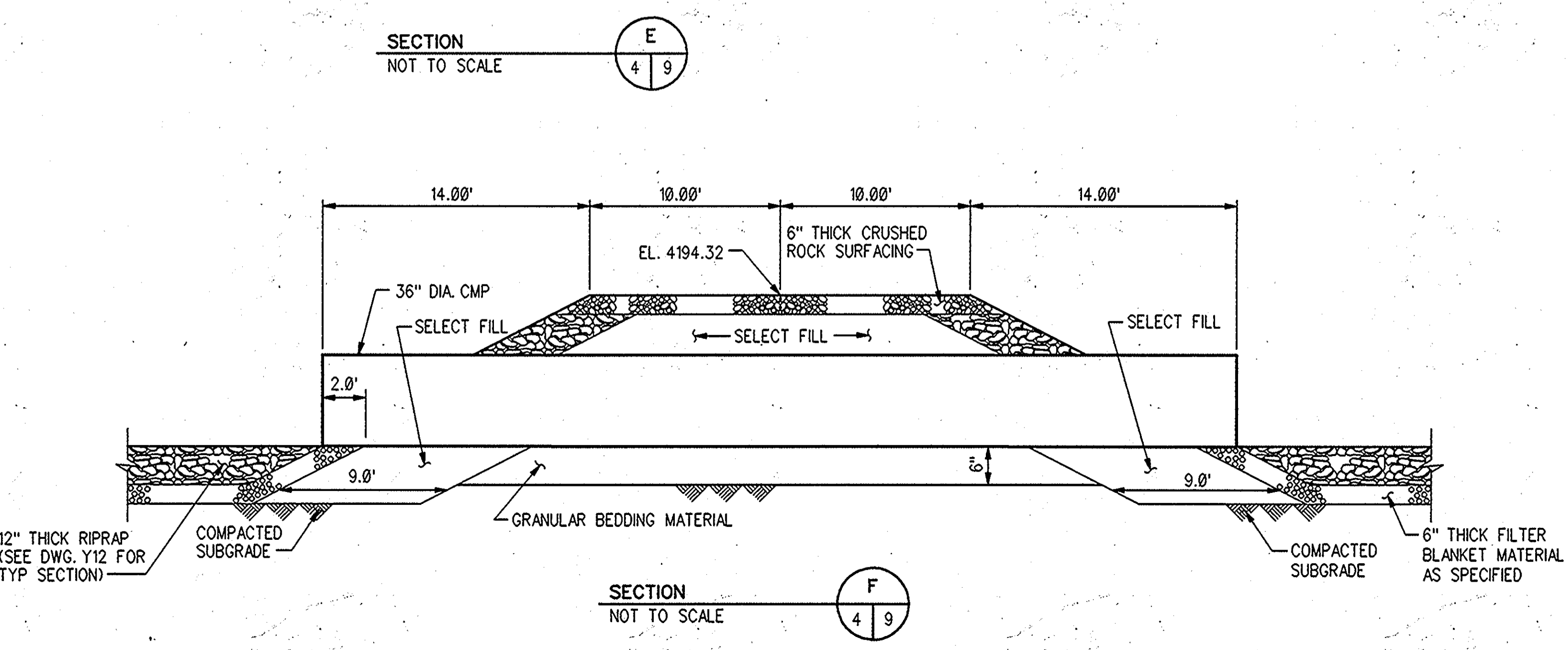
SECTION B
STA. 1+00 TO 13+90
ALONG DITCH

SECTION C
STA. 0+00 TO 7+00
ALONG DITCH

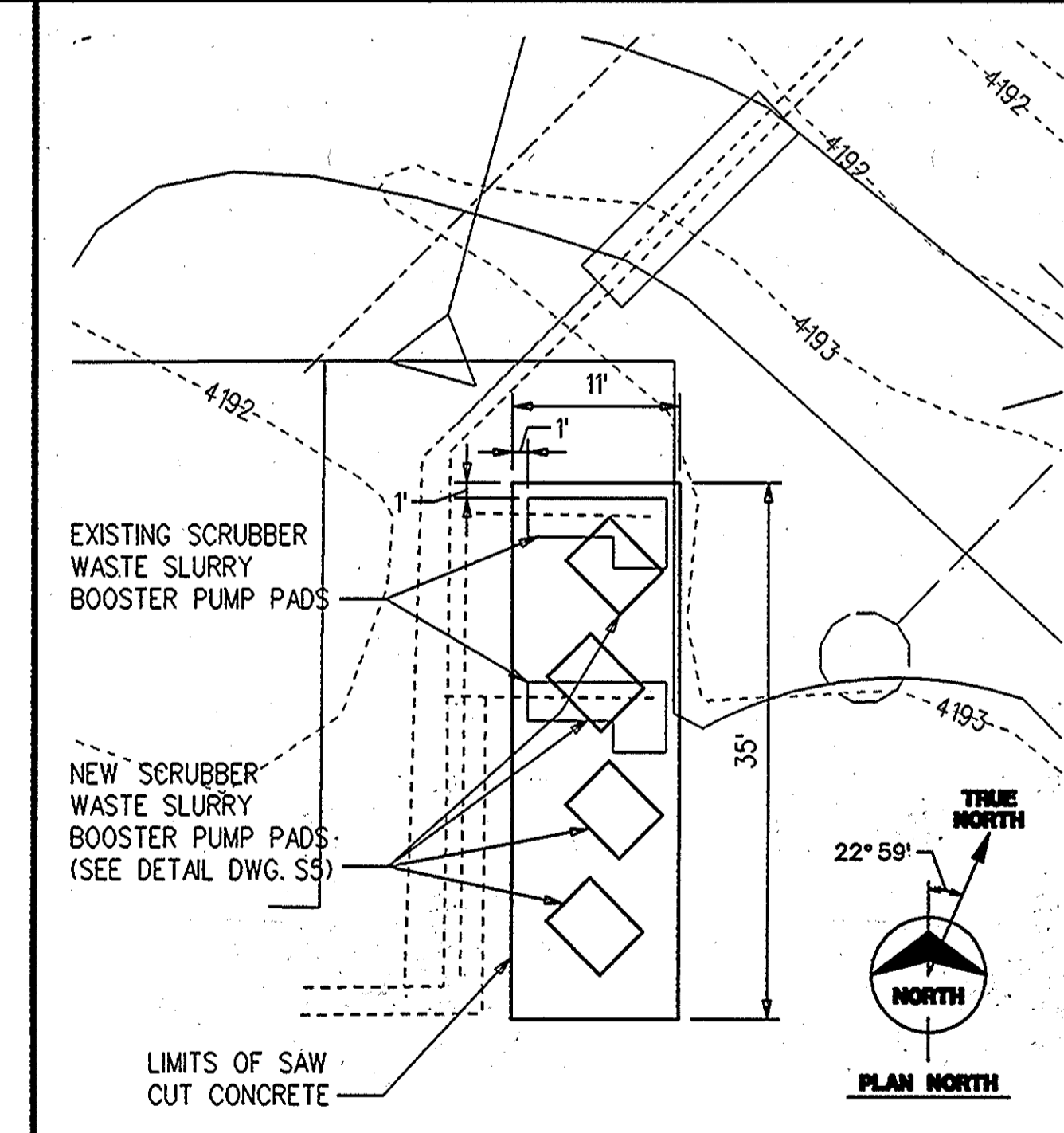
SECTION D
STA. 17+00 TO 19+00
ALONG DITCH



SECTION E
NOT TO SCALE

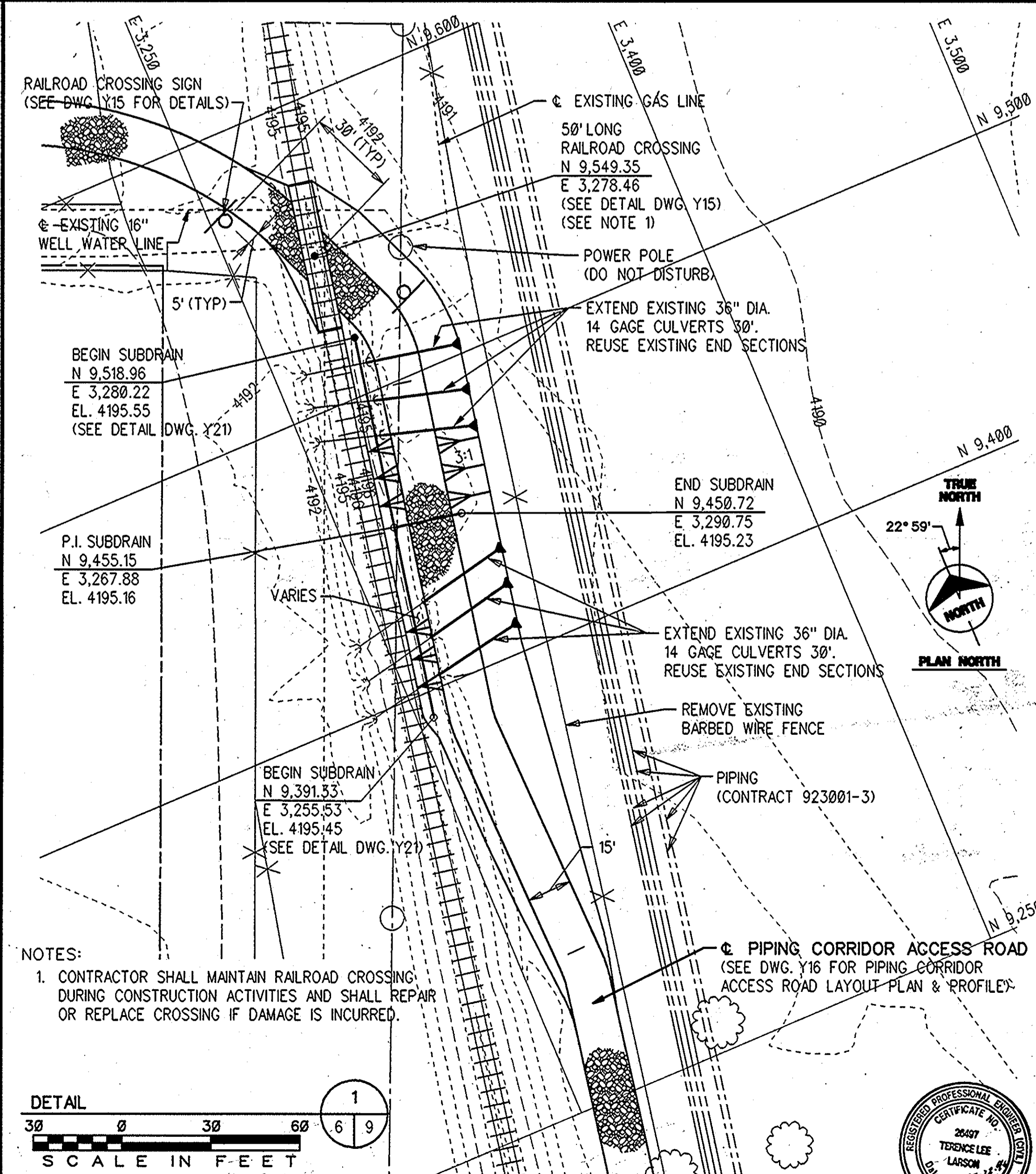


SECTION F
NOT TO SCALE



- NOTES:
- REMOVE EXISTING SCRUBBER WASTE SLURRY BOOSTER PUMPS & MOTORS AND RETURN THEM TO OWNER'S WAREHOUSE IN AN UNDAMAGED CONDITION. COORDINATE TIME AND LOCATION IN WAREHOUSE WITH OWNER.
 - DEMOLISH EXISTING SCRUBBER WASTE SLURRY BOOSTER PUMP PADS. DO NOT DAMAGE EXISTING NEARBY PIPING OR PIPE SUPPORTS.
 - SAW CUT AND REMOVE ALL CONCRETE WITHIN THE LIMITS INDICATED. REMOVE POWER FEED TO EXISTING BOOSTER PUMPS. CAP CONDUITS WITH CONCRETE PLUGS.
 - COORDINATE INSTALLATION OF NEW WASTE SLURRY BOOSTER PUMPS AND REPLACEMENT OF CONCRETE SLAB WITH CONTRACT 923001-3 TO ALLOW FOR INSTALLATION OF CONDUIT AND GROUNDING FOR NEW WASTE SLURRY BOOSTER PUMPS.
 - APPROXIMATE LOCATION OF PADS ARE FOR BID PURPOSES ONLY. COORDINATE WITH CONTRACT 923001-3 FOR EXACT LOCATIONS. SEE REFERENCE DWG. U10.

DETAIL 2
SCALE IN FEET



- NOTES:
- CONTRACTOR SHALL MAINTAIN RAILROAD CROSSING DURING CONSTRUCTION ACTIVITIES AND SHALL REPAIR OR REPLACE CROSSING IF DAMAGE IS INCURRED.
 - SEE DWG. Y16 FOR PIPING CORRIDOR ACCESS ROAD LAYOUT PLAN & PROFILES.

DETAIL 1
SCALE IN FEET

Burns & McDonnell

date JULY 29, 1992 detailed D. MADDOCK
designed M. FRERKING checked T. LARSON

AEP CO
ARIZONA ELECTRIC POWER COOPERATIVE, INC.
APACHE STATION
COMBUSTION WASTE DISPOSAL FACILITY
WASTE DISPOSAL PONDS AND APPURTENANCES CONSTRUCTION
GRADING SECTIONS & MISCELLANEOUS GRADING PLAN
project 91-033-1-010 contract 923001-2
drawing Y9 - B
sheet of sheets