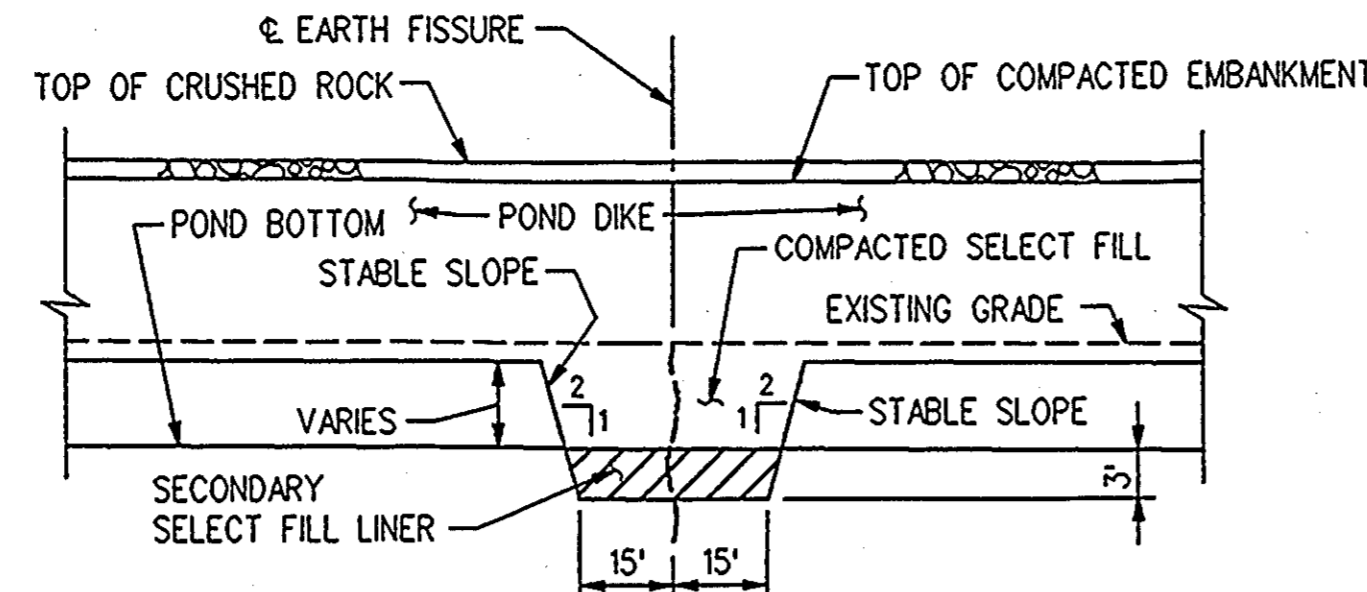


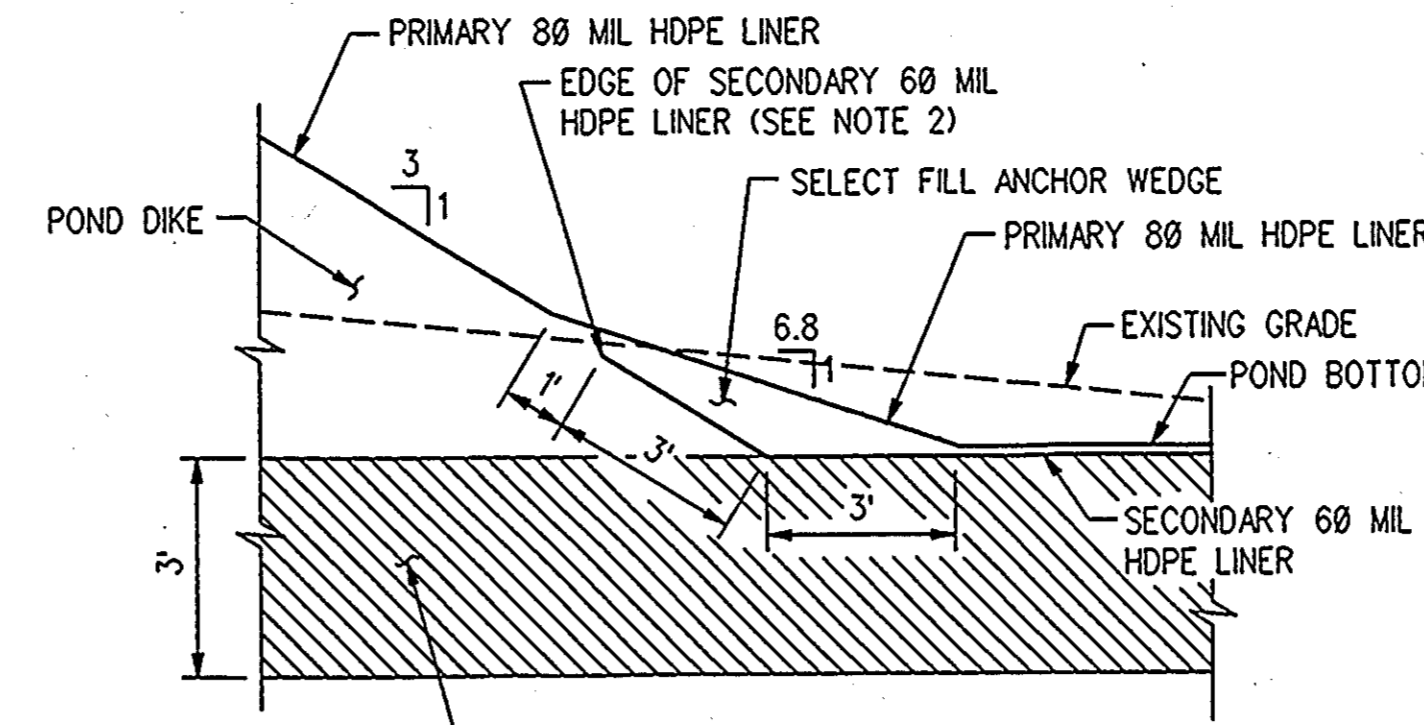
NOTES:
1. THIS DETAIL INDICATES REQUIREMENTS FOR SECONDARY SELECT FILL LINER. FOR GENERAL GRADING DETAILS SEE TYPICAL SECTION ON DWG. Y12.

INTERIOR POND DIKE SECONDARY LINING DETAIL
NOT TO SCALE



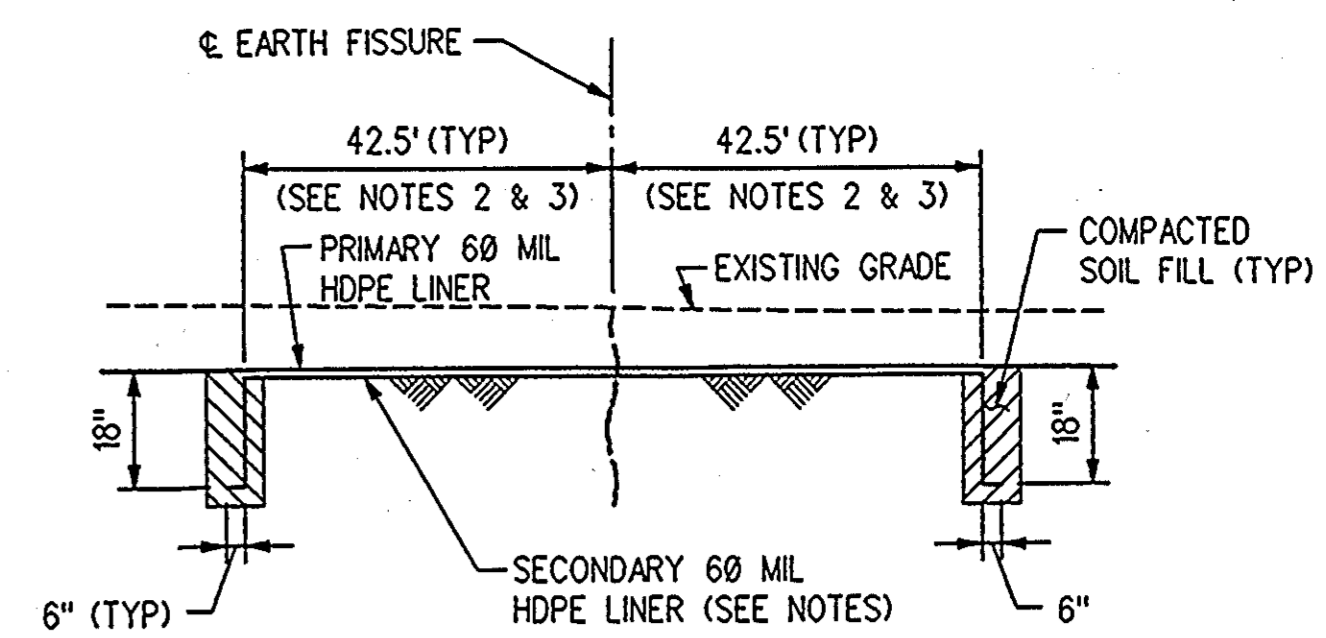
NOTES:
1. THIS DETAIL INDICATES REQUIREMENTS FOR SECONDARY SELECT FILL LINER PASSING PERPENDICULAR TO EXTERIOR POND DIKE. FOR GENERAL GRADING DETAILS SEE TYPICAL SECTION ON DWG. Y12.

EXTERIOR POND DIKE SECONDARY LINING DETAIL
NOT TO SCALE



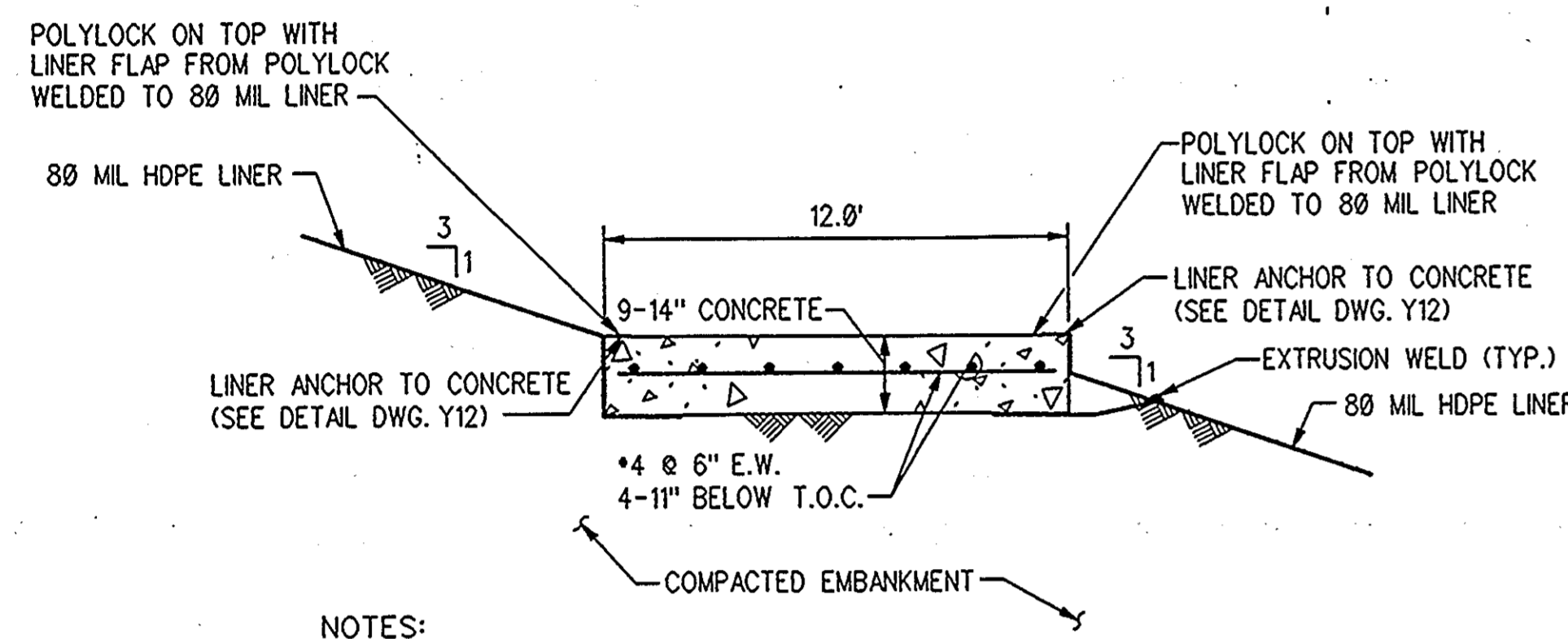
NOTES:
1. IN AREAS NOT RECEIVING SECONDARY 60 MIL HDPE LINER ADJACENT TO POND DIKES, MAKE TRANSITION FROM 6.8-1 ANCHOR WEDGE TO 3:1 TYPICAL SLOPE IN A MINIMUM 10 FOOT DISTANCE ALONG DIKE.
2. THE SELECT FILL ANCHOR WEDGE SHALL EXTEND 1 FOOT BEYOND THE EDGE OF THE HDPE UP THE EMBANKMENT SLOPE. THE EDGE OF THE HDPE SHALL NOT BE EXPOSED AFTER PLACEMENT OF THE SELECT FILL.

TRANSITION BETWEEN SECONDARY HDPE LINER AND SELECT FILL LINER
NOT TO SCALE



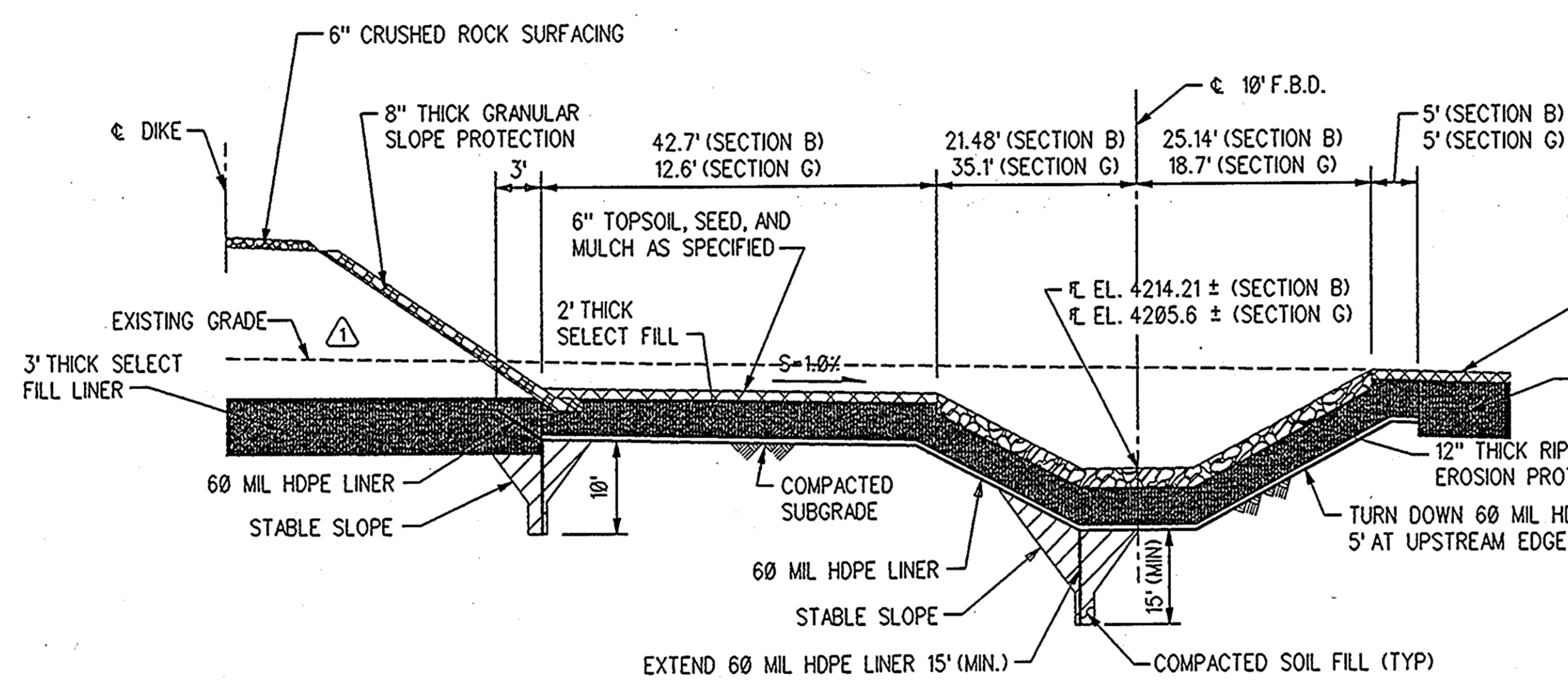
NOTES:
1. LINER ROLL WIDTH SHALL BE 30 FEET MINIMUM.
2. CENTER SECONDARY LINER OVER EXISTING FISSURE TO THE MAXIMUM EXTENT POSSIBLE (42.5' EACH SIDE OF FISSURE).
3. IN AREAS WHERE FISSURE RUNS ADJACENT TO A POND DIKE AND SPACE BETWEEN THE POND DIKE AND FISSURE IS LIMITED, INSTALL SECONDARY 60 MIL HDPE LINER TO DIMENSIONS INDICATED ON PLAN DWGS.
4. PLACE AND MITRE SECONDARY LINER ALONG THE EXISTING FISSURE, SO THAT THE HDPE LINER RESTS FIRMLY AGAINST THE SUBGRADE WITHOUT WRINKLES OR FOLDS.

SECTION A
NOT TO SCALE

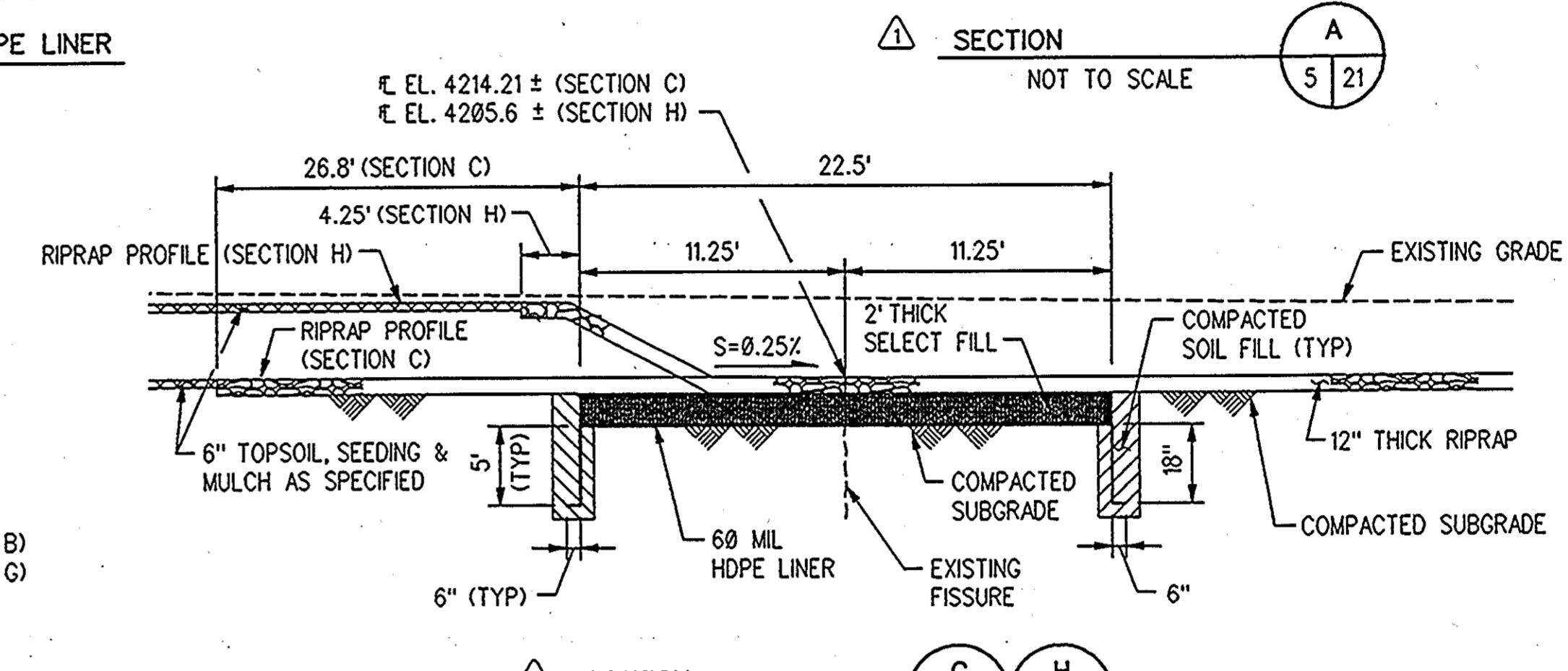


NOTES:
1. REFER TO DWG. Y24 FOR RAMP REMEDIAL PLAN.

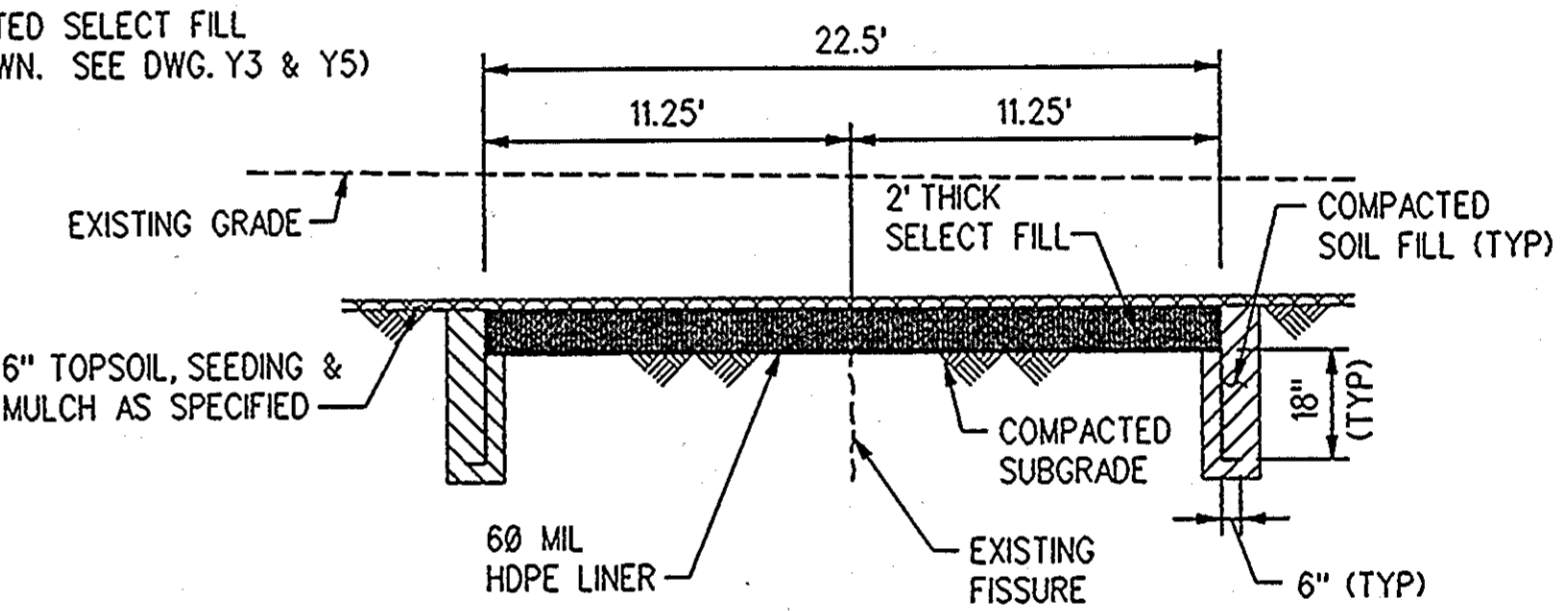
TYPICAL CONCRETE ACCESS RAMP SECTION
NOT TO SCALE



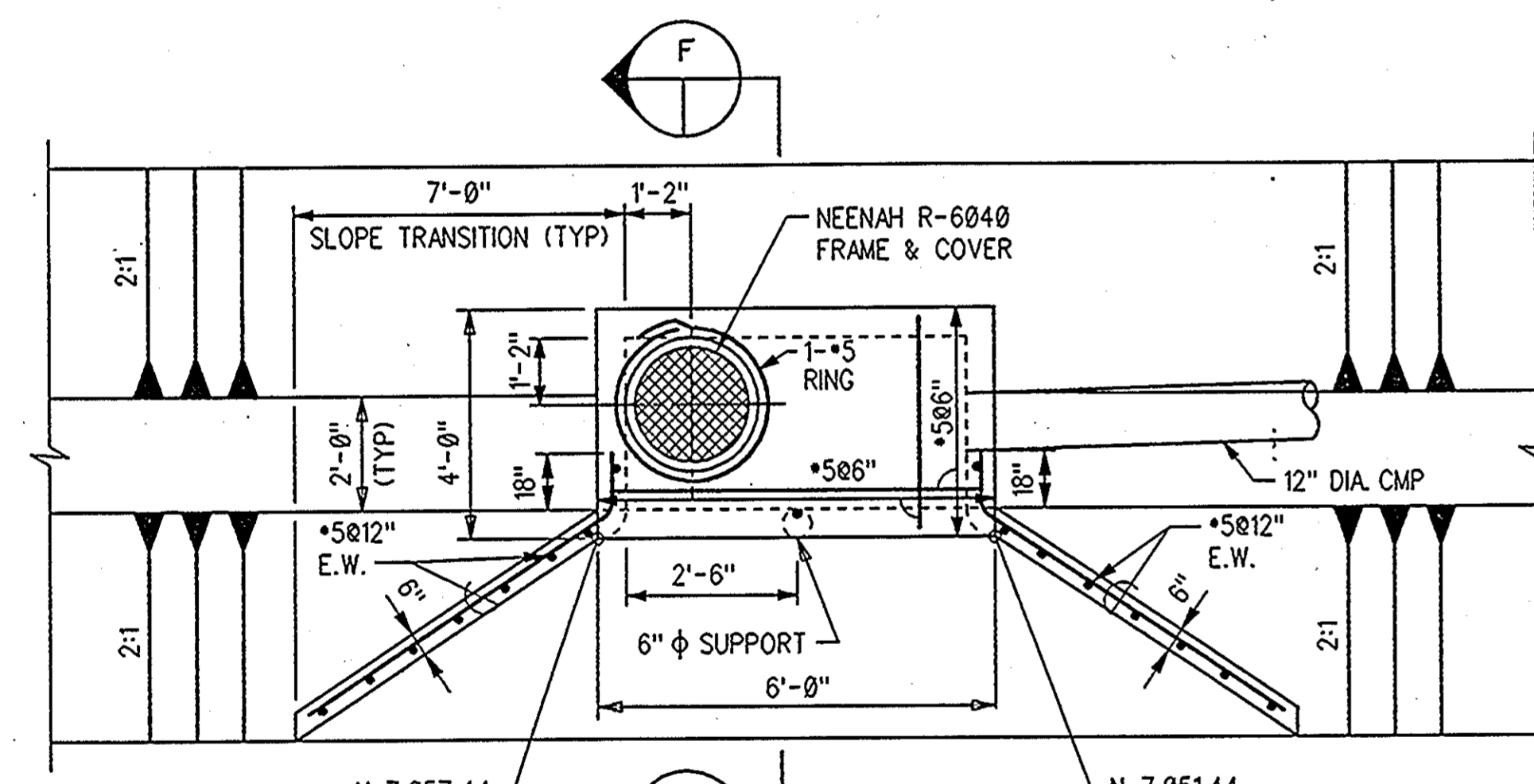
SECTION B G
NOT TO SCALE



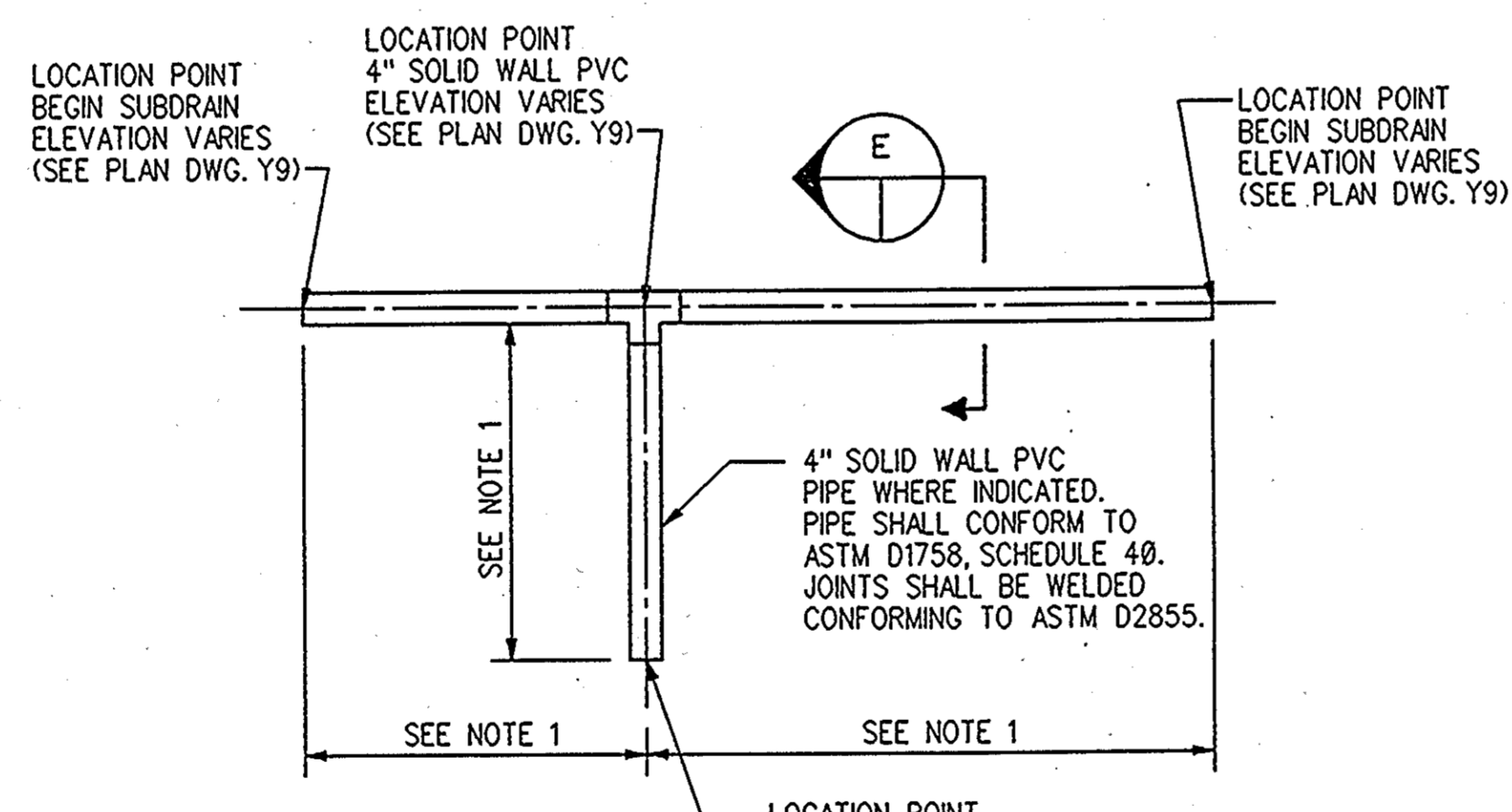
SECTION C H
NOT TO SCALE



SECTION D J
NOT TO SCALE

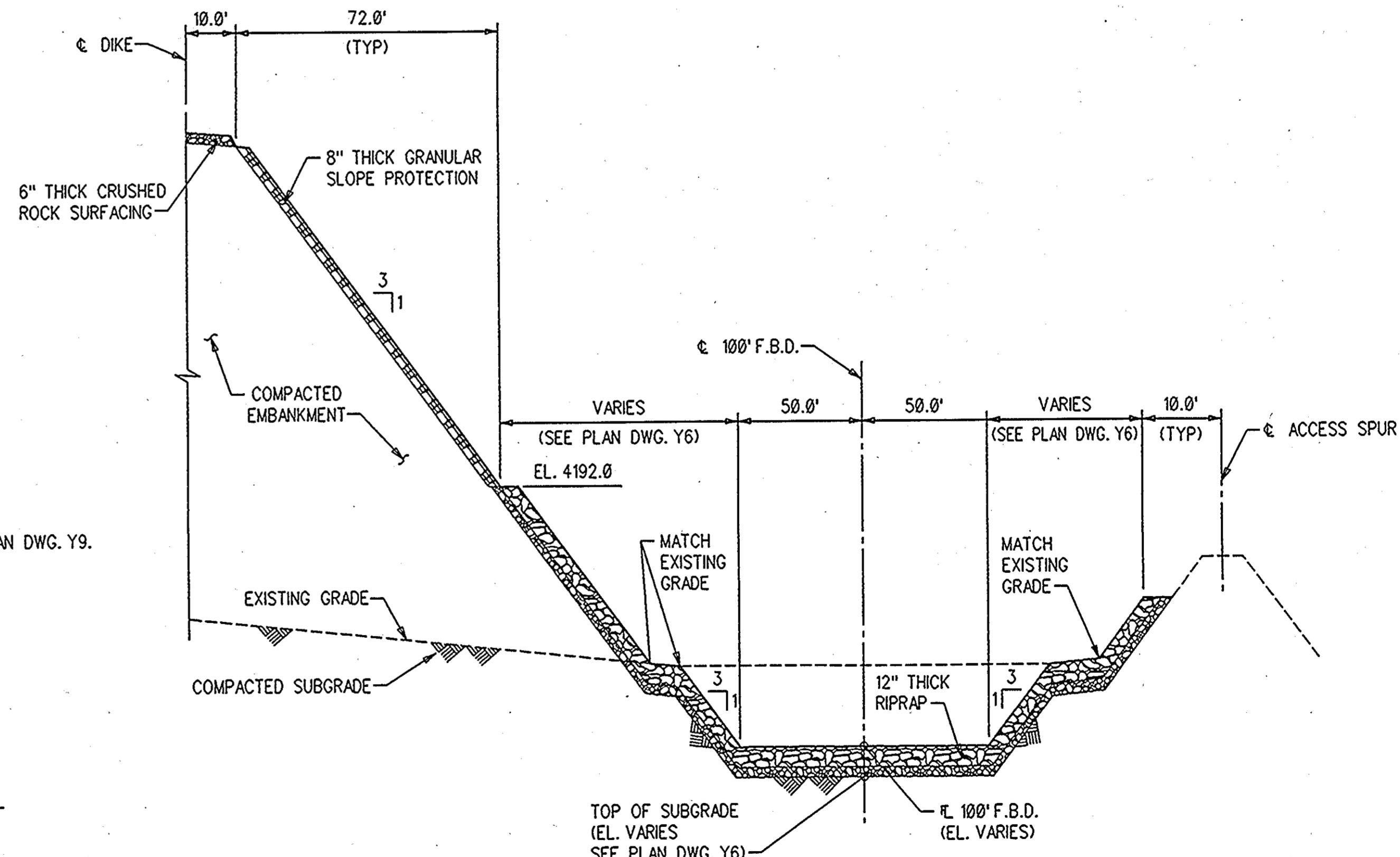


TOP PLAN
INLET STRUCTURE
NOT TO SCALE

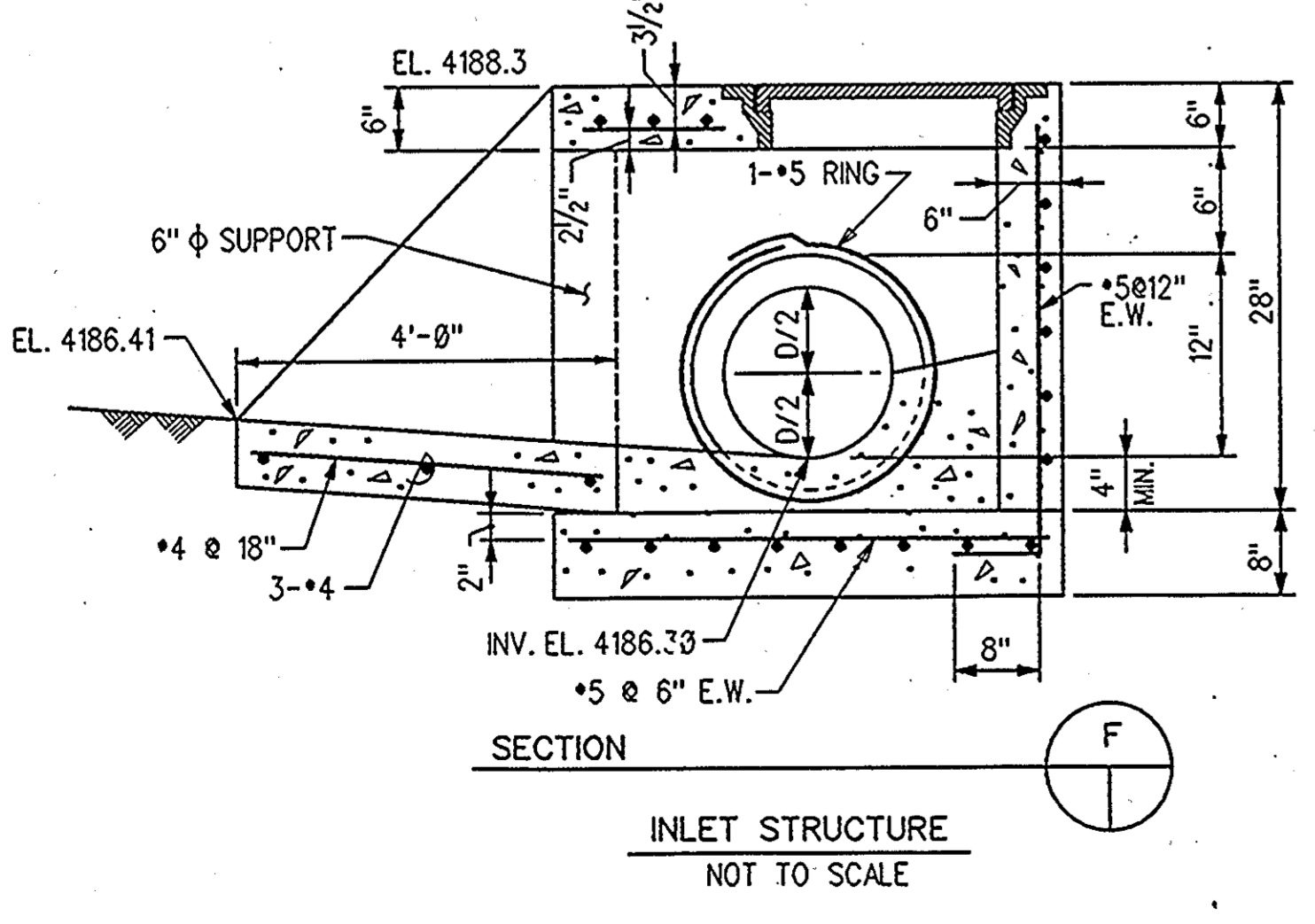


PLAN - SUBDRAIN
NOT TO SCALE

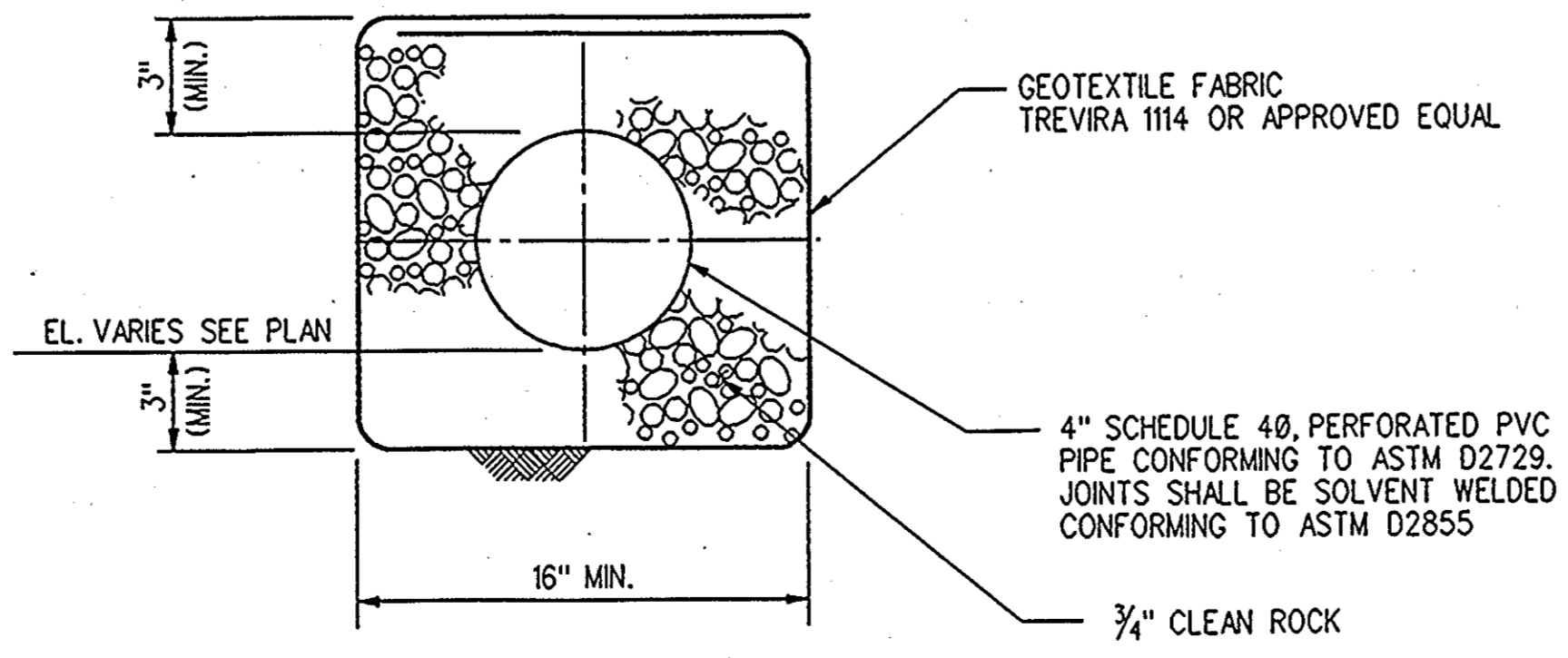
NOTES: (PLAN - SUBDRAIN)
1. LENGTH VARIES SEE PLAN DWG. Y9.



TYPICAL 100' F.B.D. SECTION
NOT TO SCALE



SECTION
INLET STRUCTURE
NOT TO SCALE



SECTION
NOT TO SCALE

no.	date	by	revision
0	3-10-94	TLL	ISSUED TO OWNER FOR BID
1	9-20-94	TLL	ISSUED AS BID
1	11-15-94	DLM	REVISED SECONDARY LINER PLAN FOR EARTH FISSURE
1	11-18-94	TLL	ISSUED PER C.O. #2
1	1-27-95	TLL	REVISION TO C.O. #2
2	4-16-96	DAM	CONFORMING TO CONSTRUCTION RECORDS

Burns & McDonnell

date: OCTOBER 22, 1993
designed: M. FRERKING
checked: T. LARSON
detailed: D. MADDOCK

AEPCO
ARIZONA ELECTRIC POWER COOPERATIVE, INC.
APACHE STATION
COMBUSTION WASTE DISPOSAL FACILITY
WASTE DISPOSAL PONDS AND APPURTENANCES CONSTRUCTION

MISCELLANEOUS DETAILS

project: 91-033-1-010
contract: 923001-2
drawing: Y21
sheet: of sheets

rev. 2

COPYRIGHT © 1994 BY BURNS & MCDONNELL ENGINEERING COMPANY, INC.