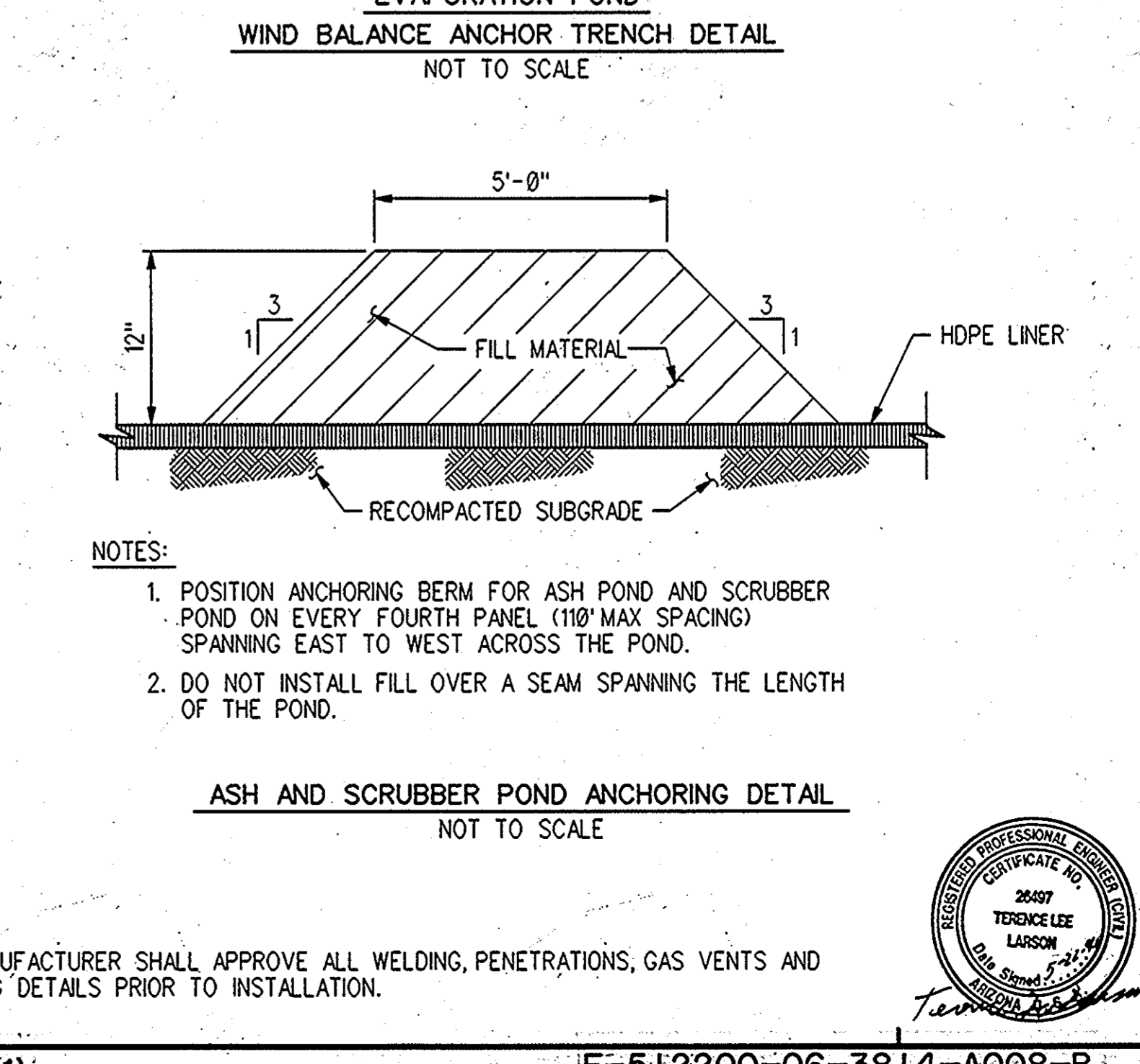
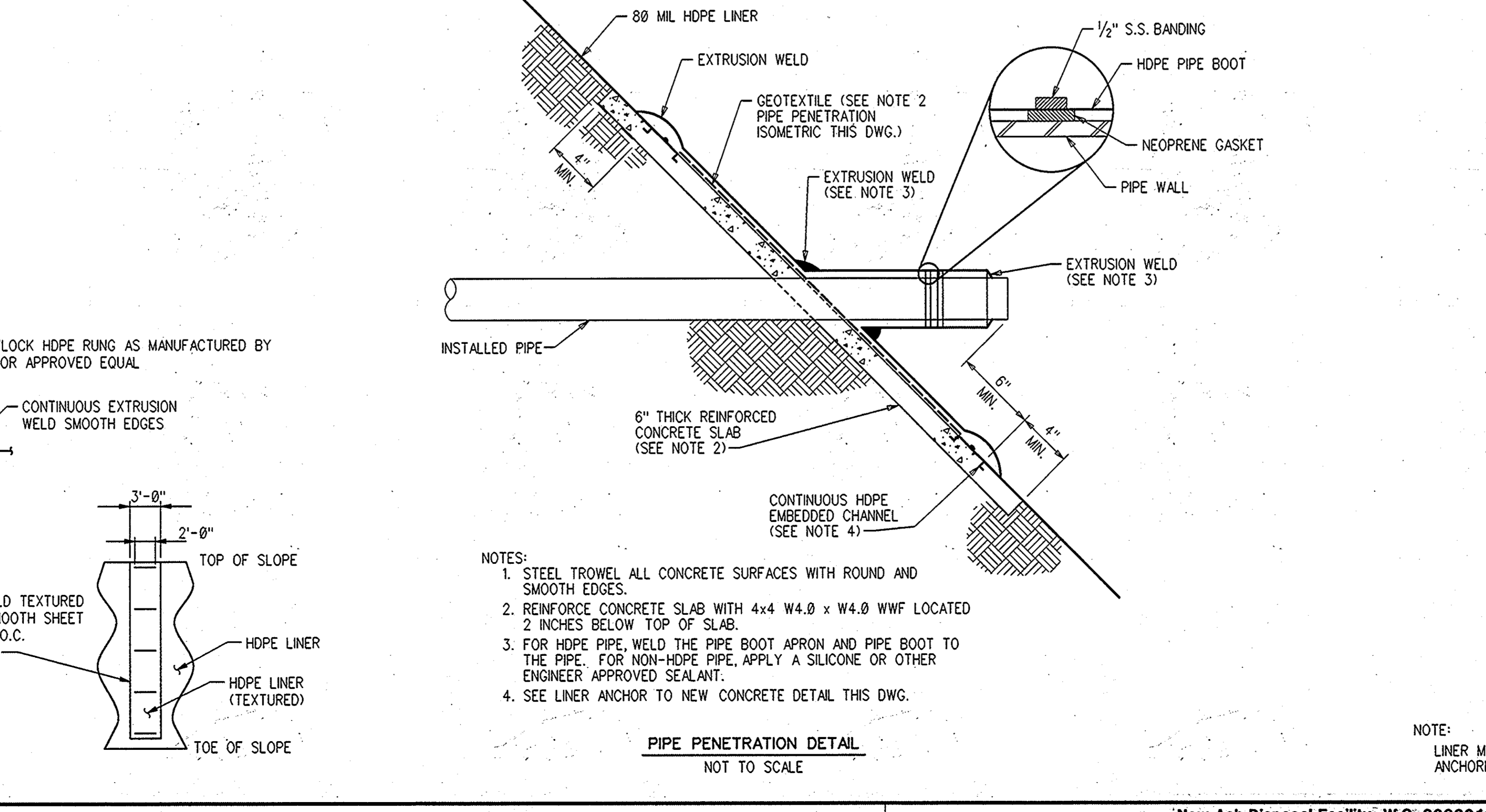
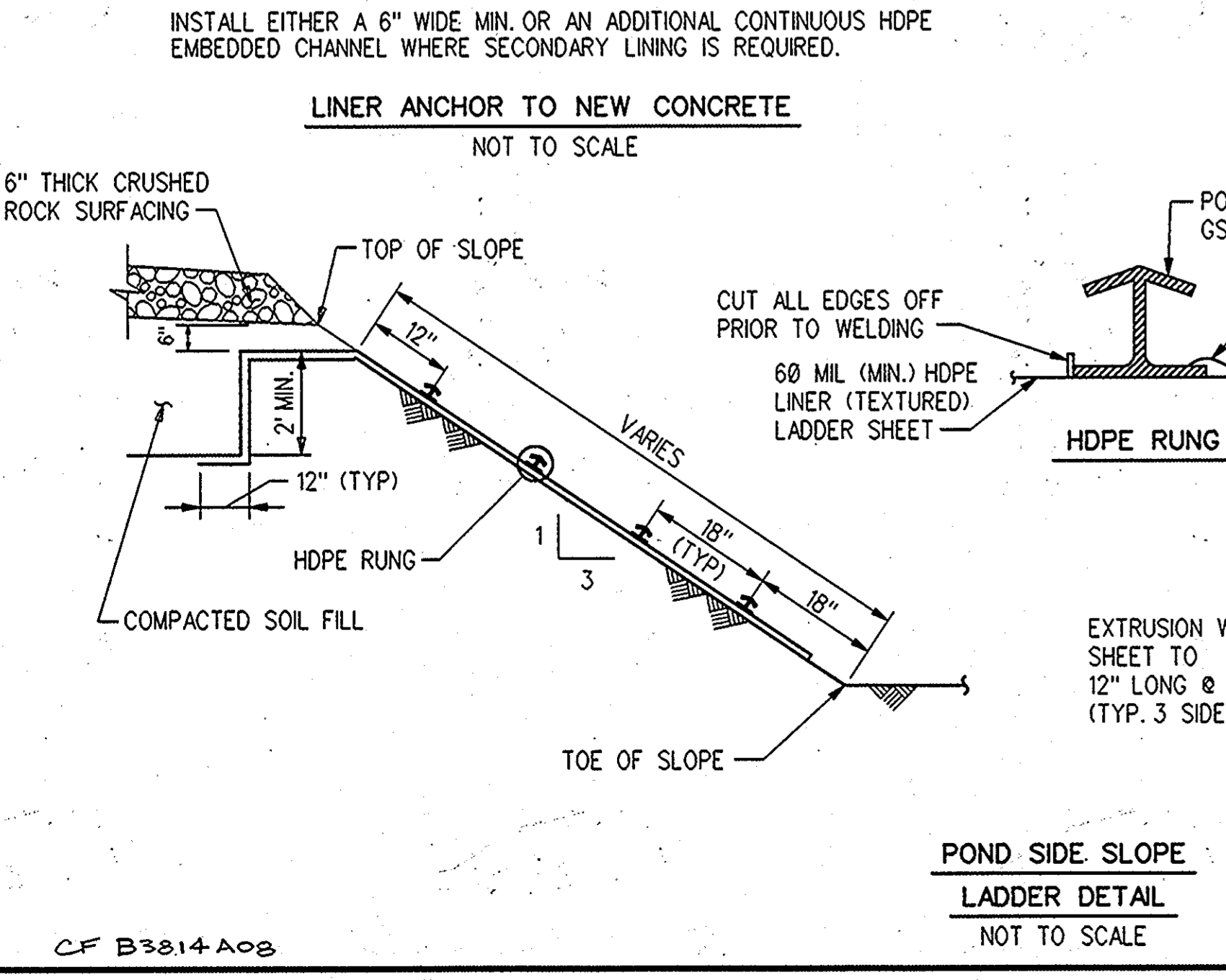
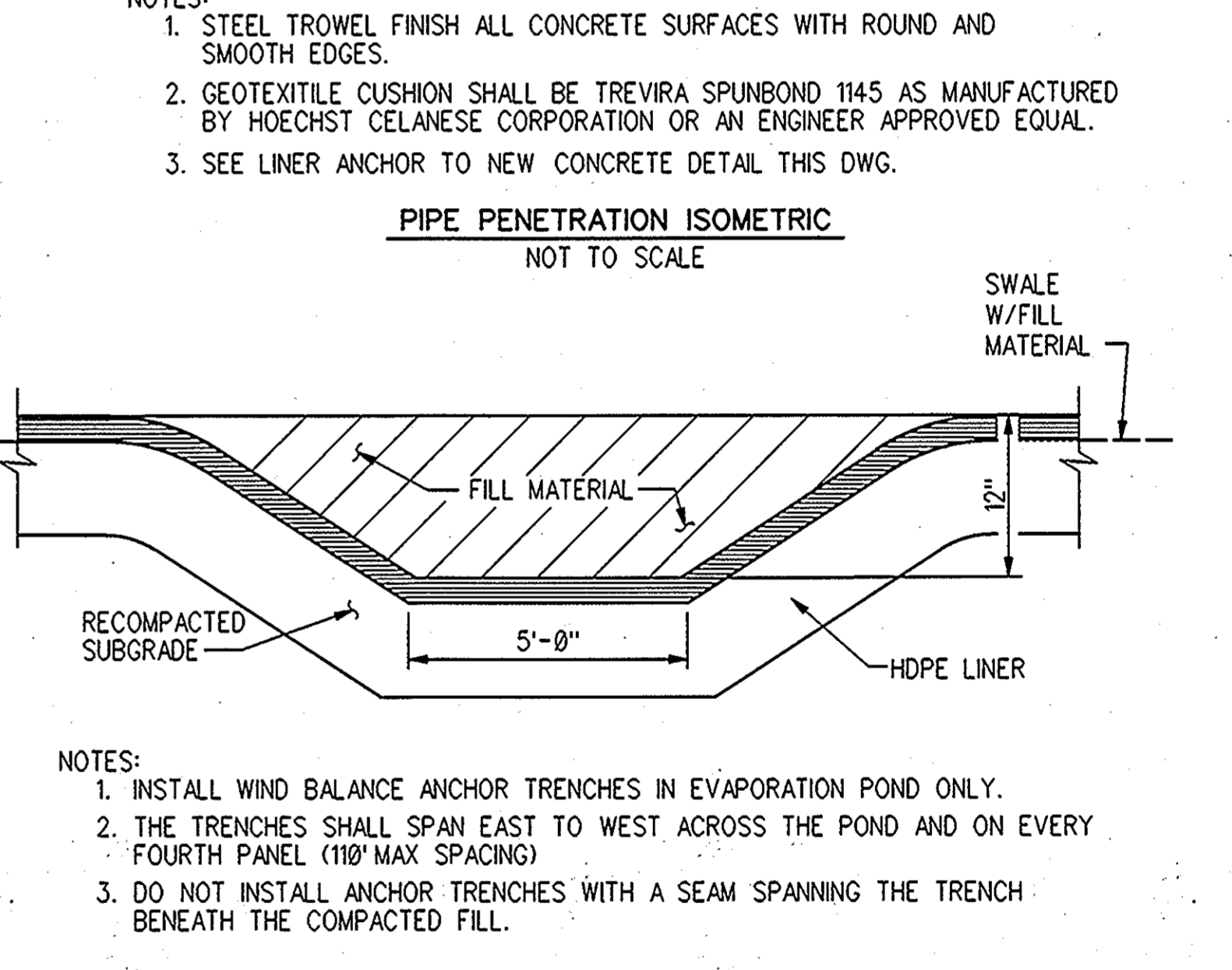
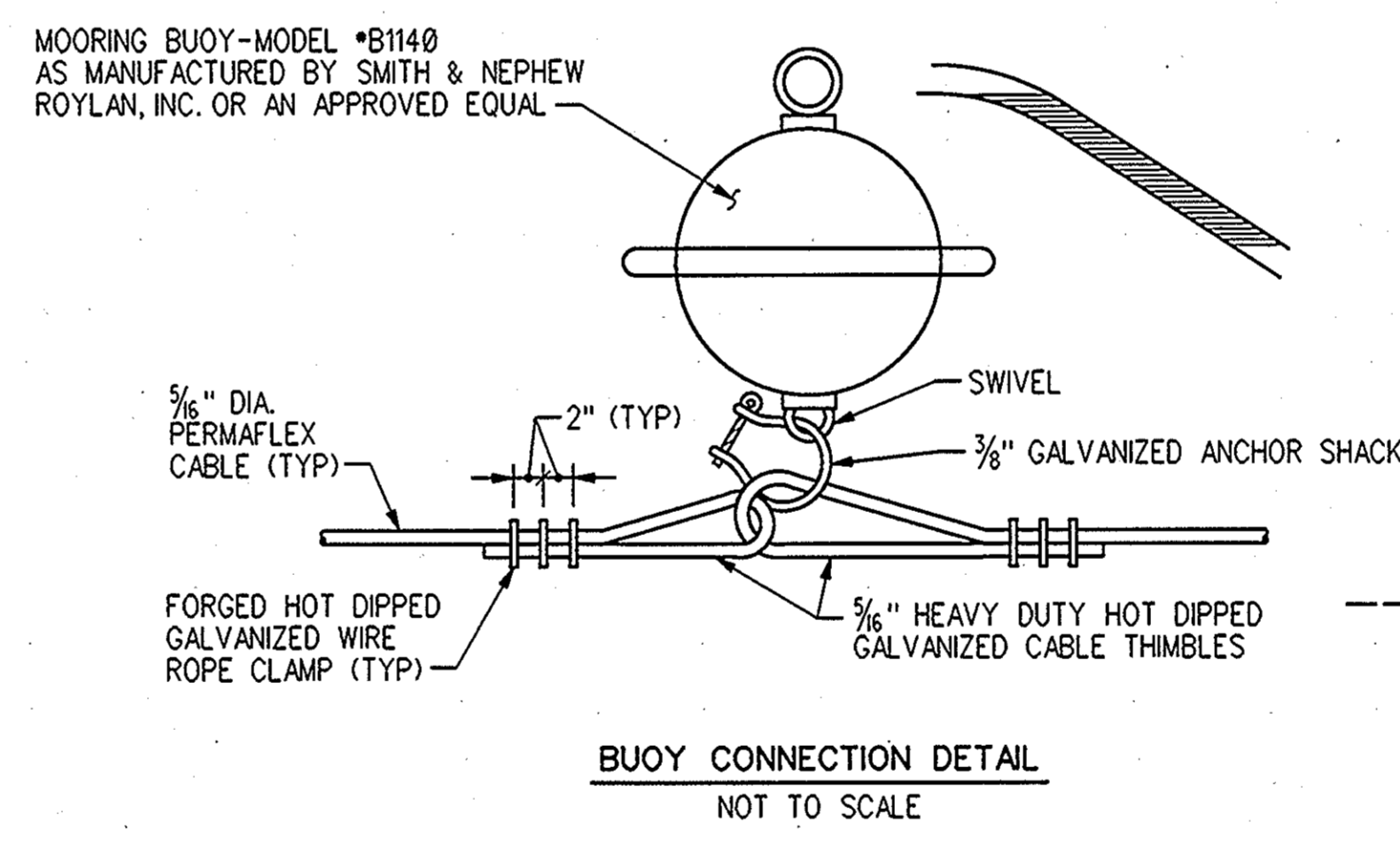
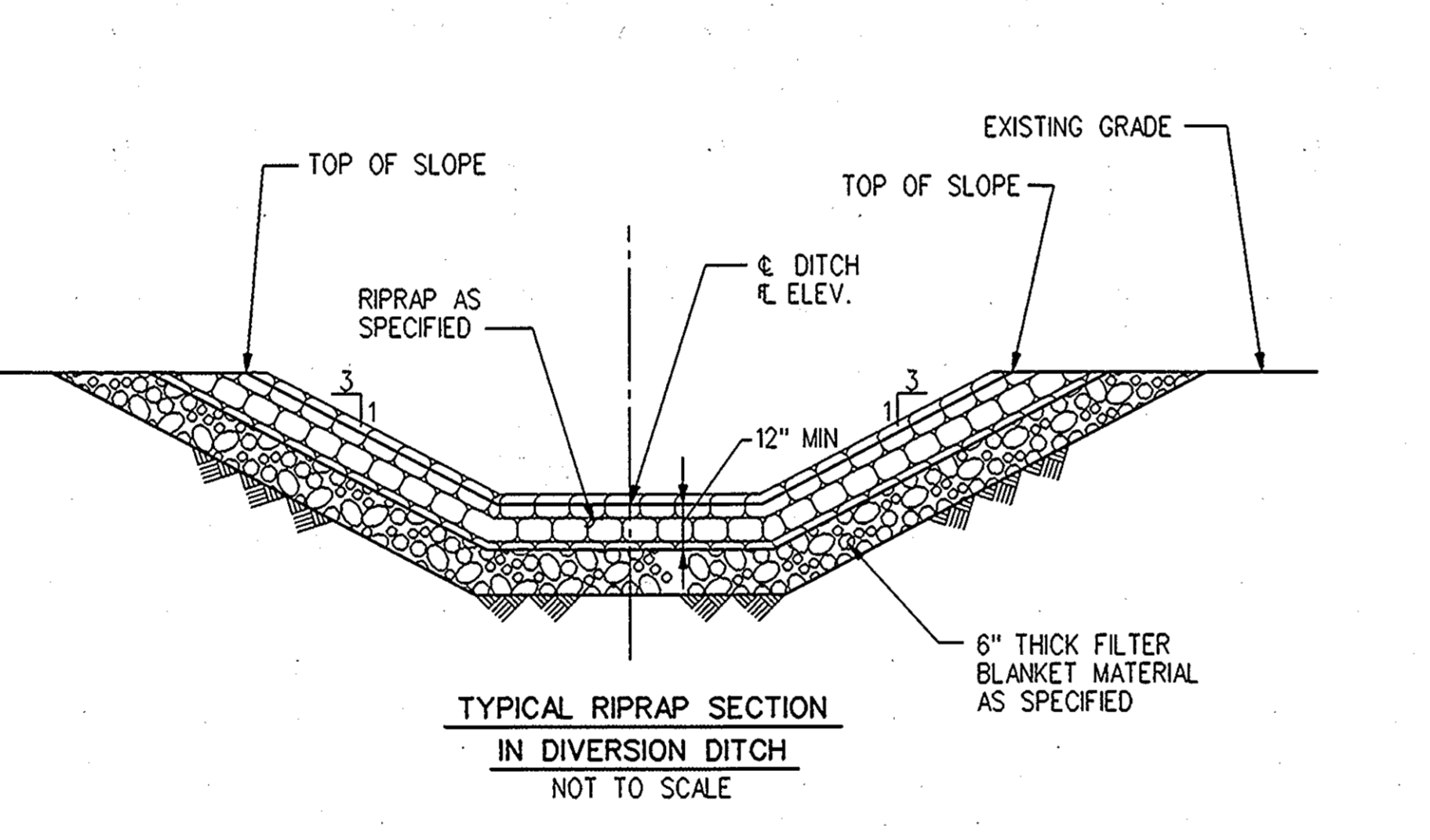
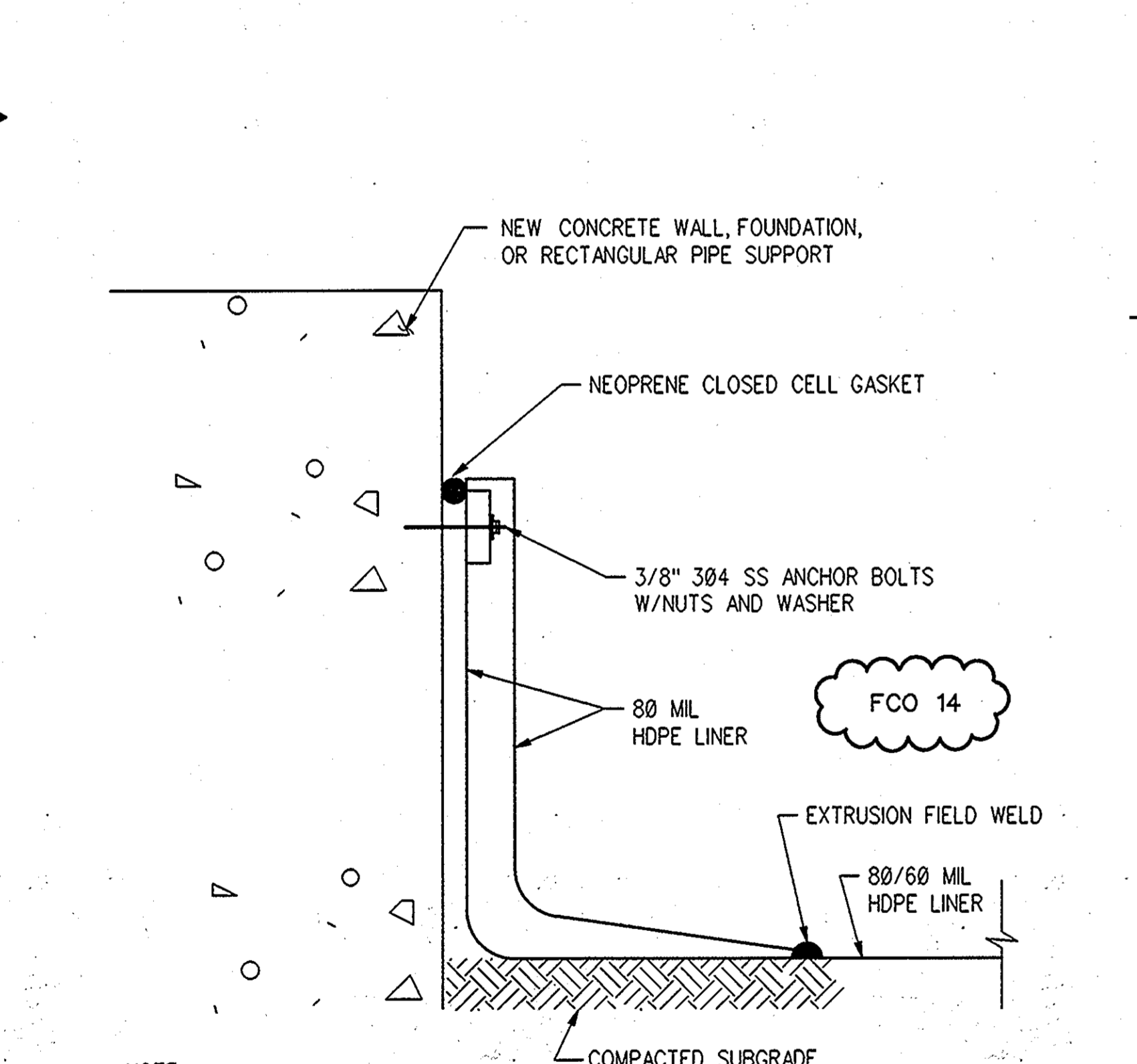
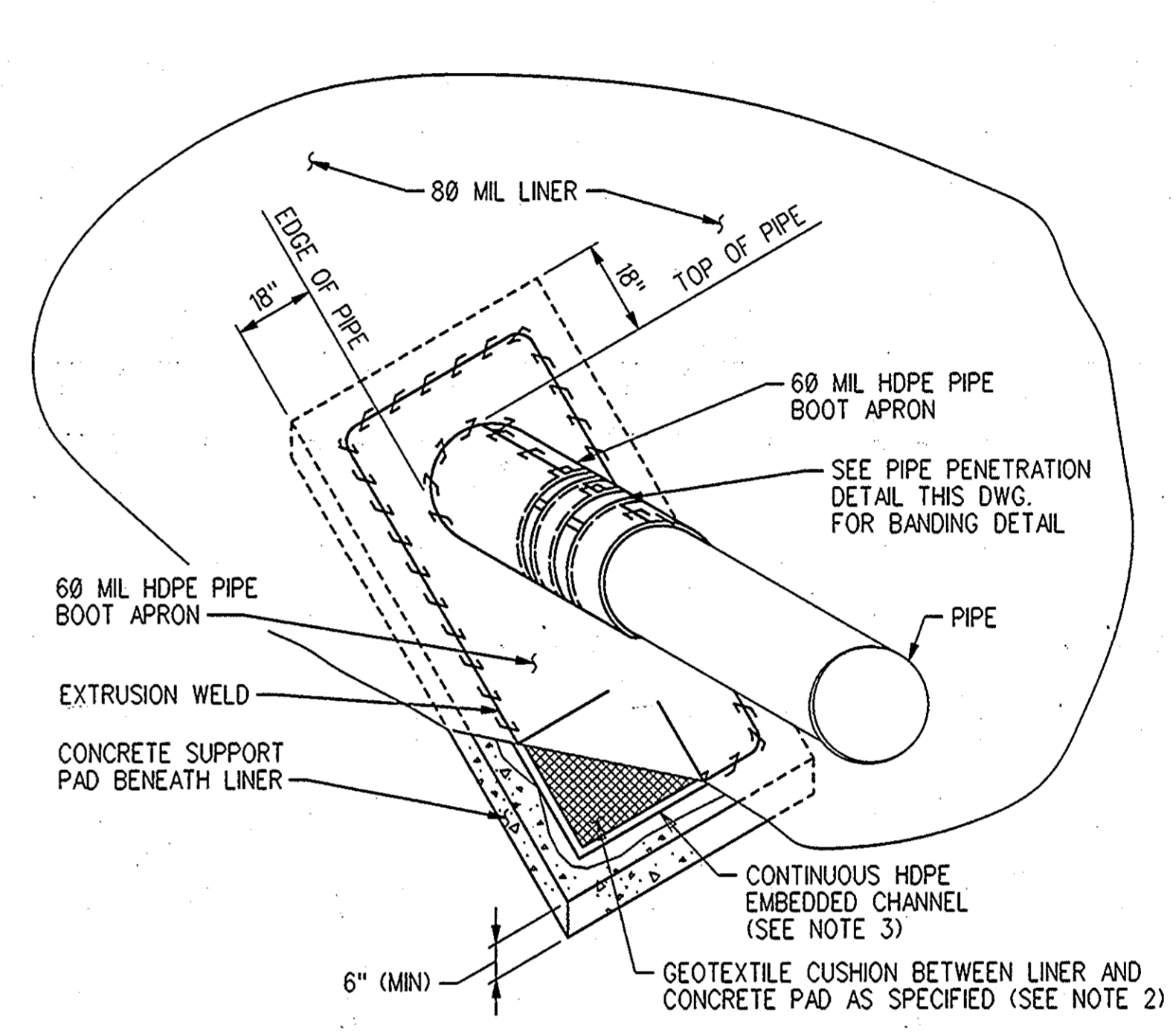
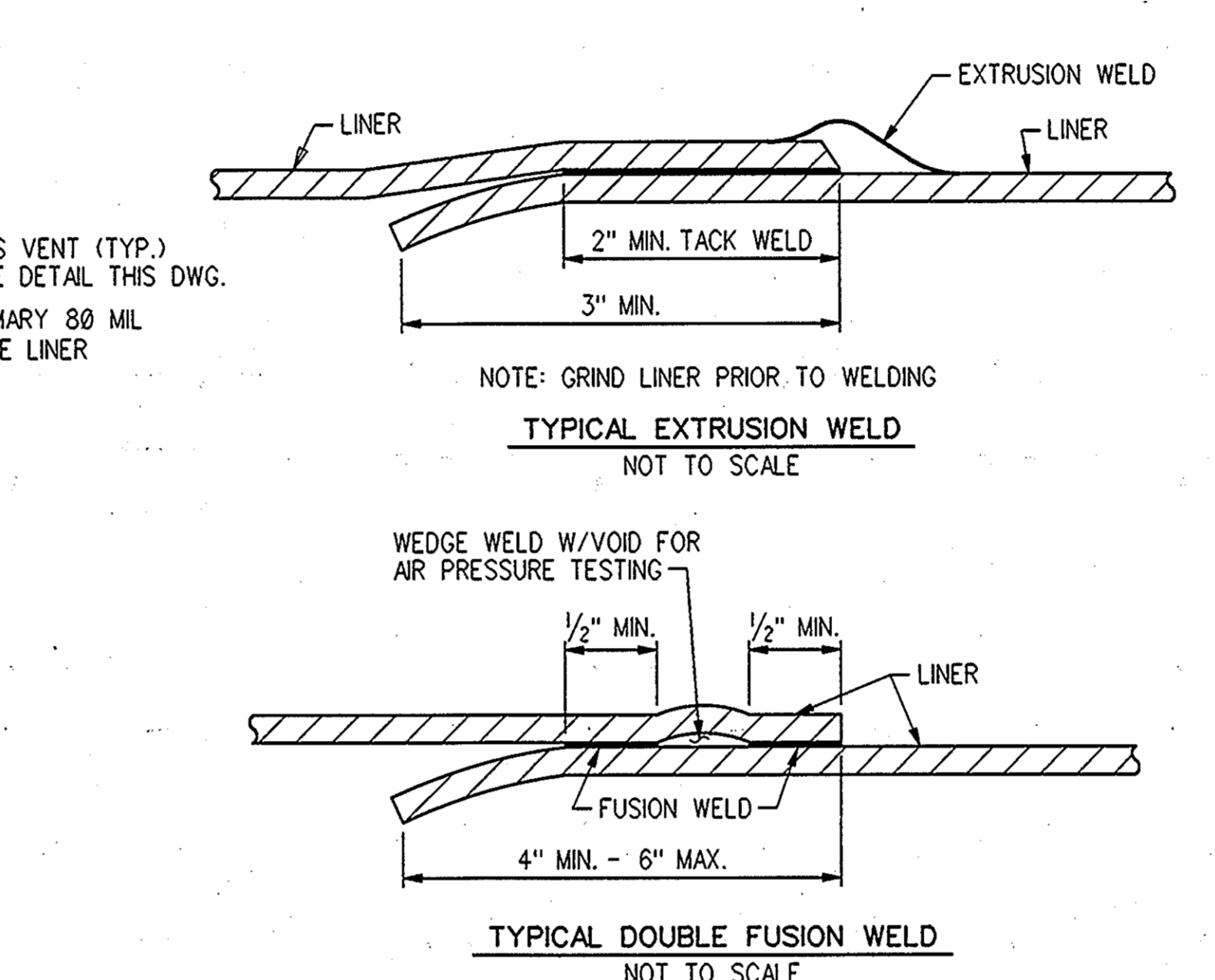
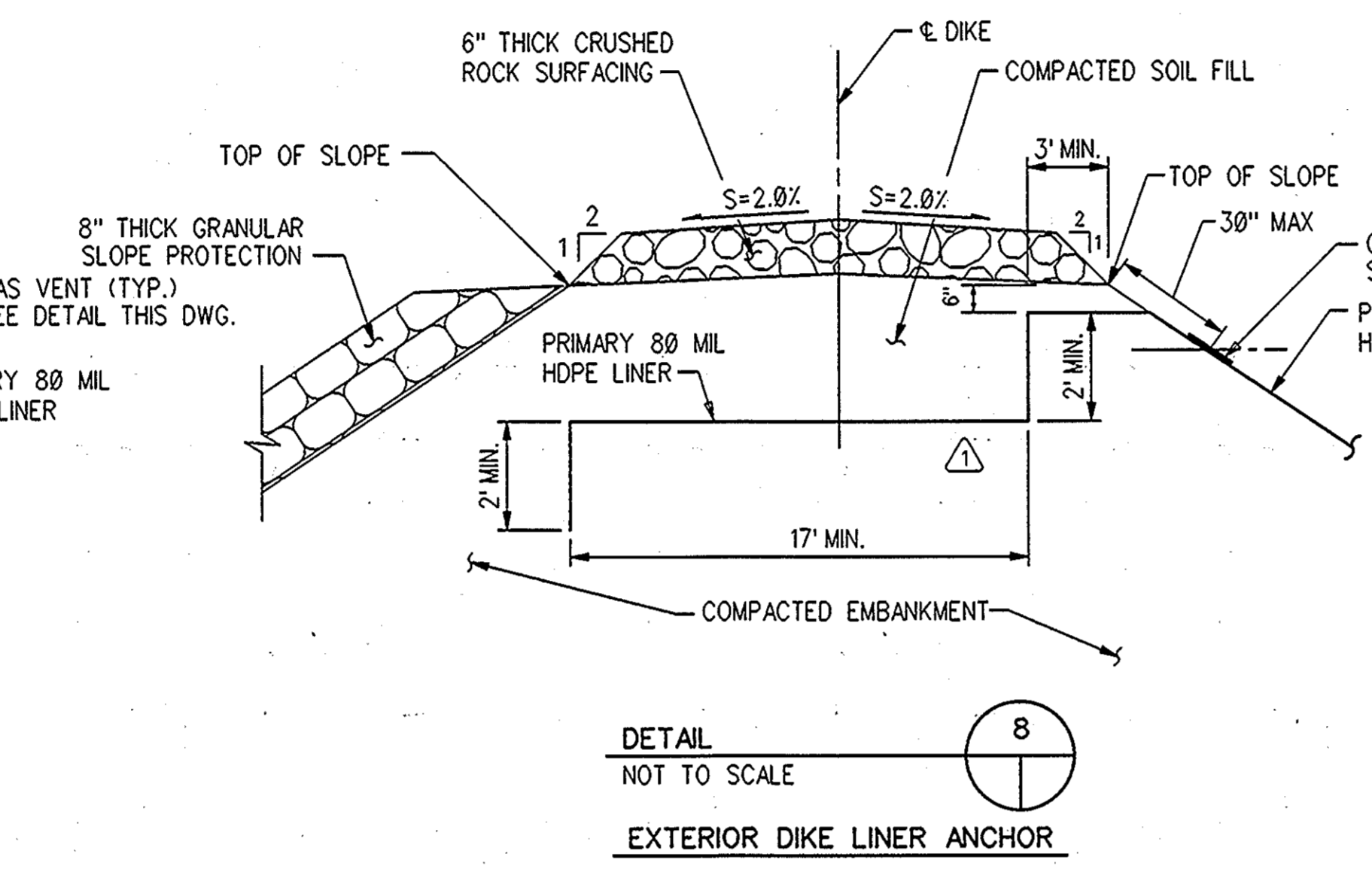
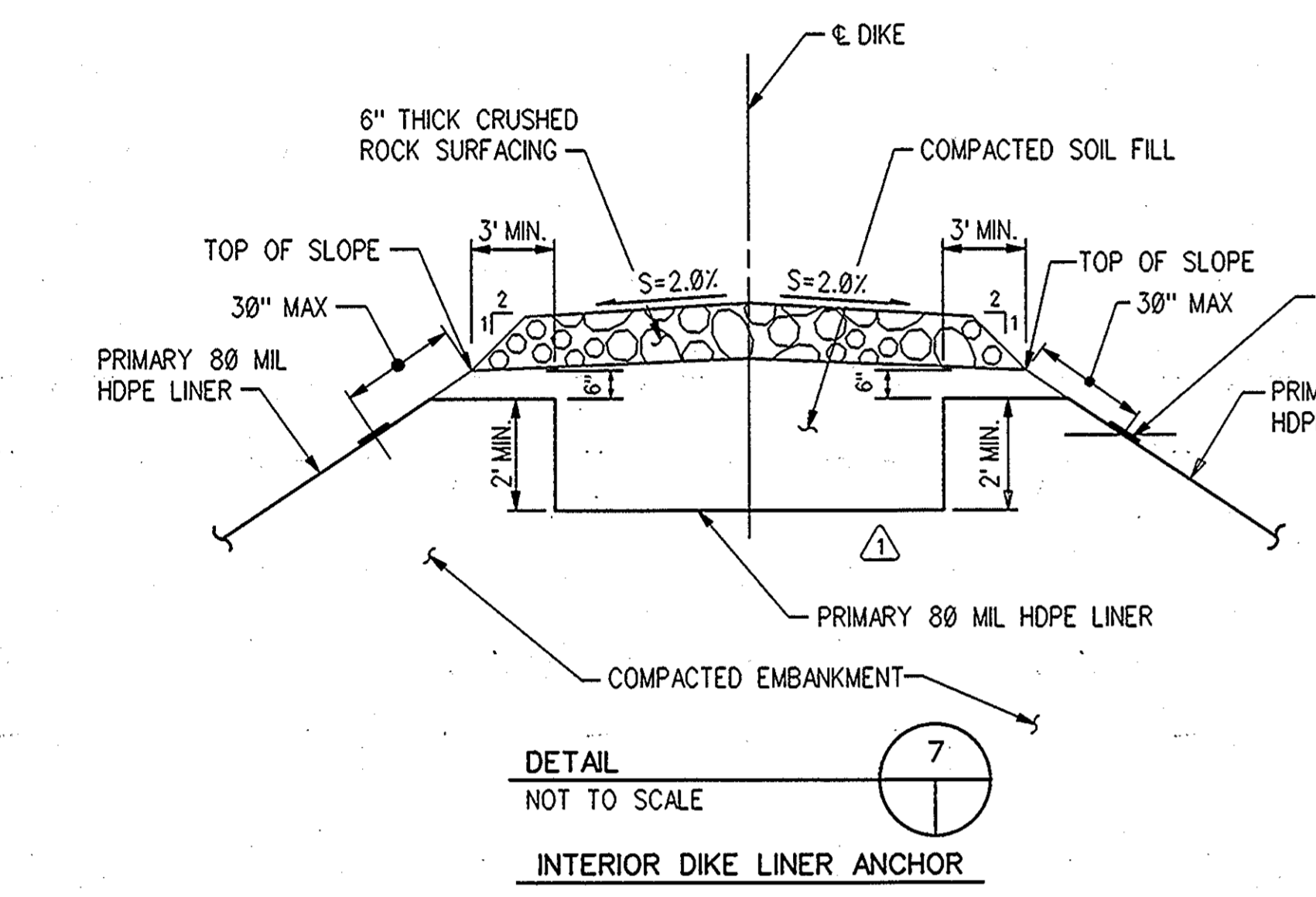
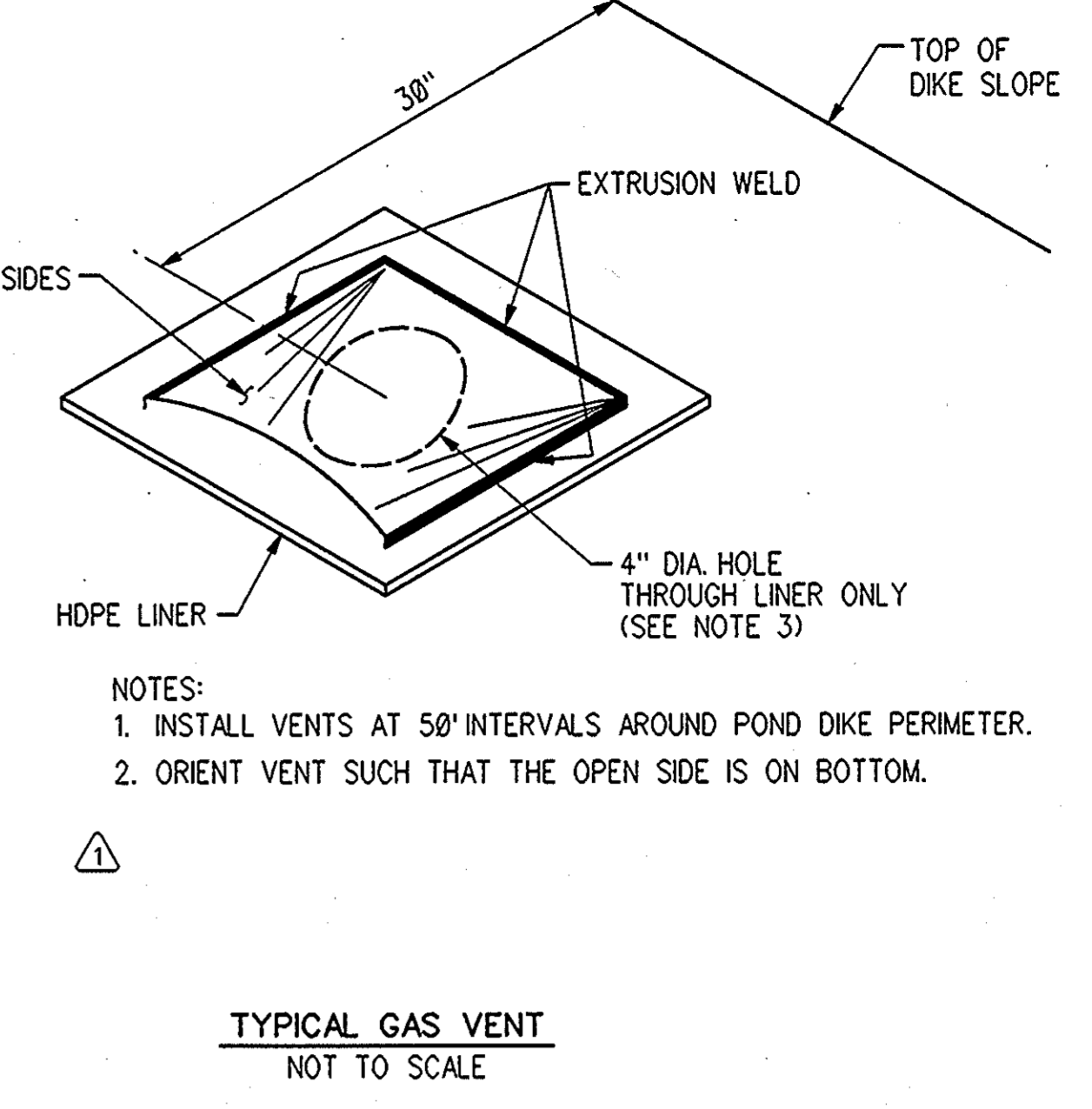
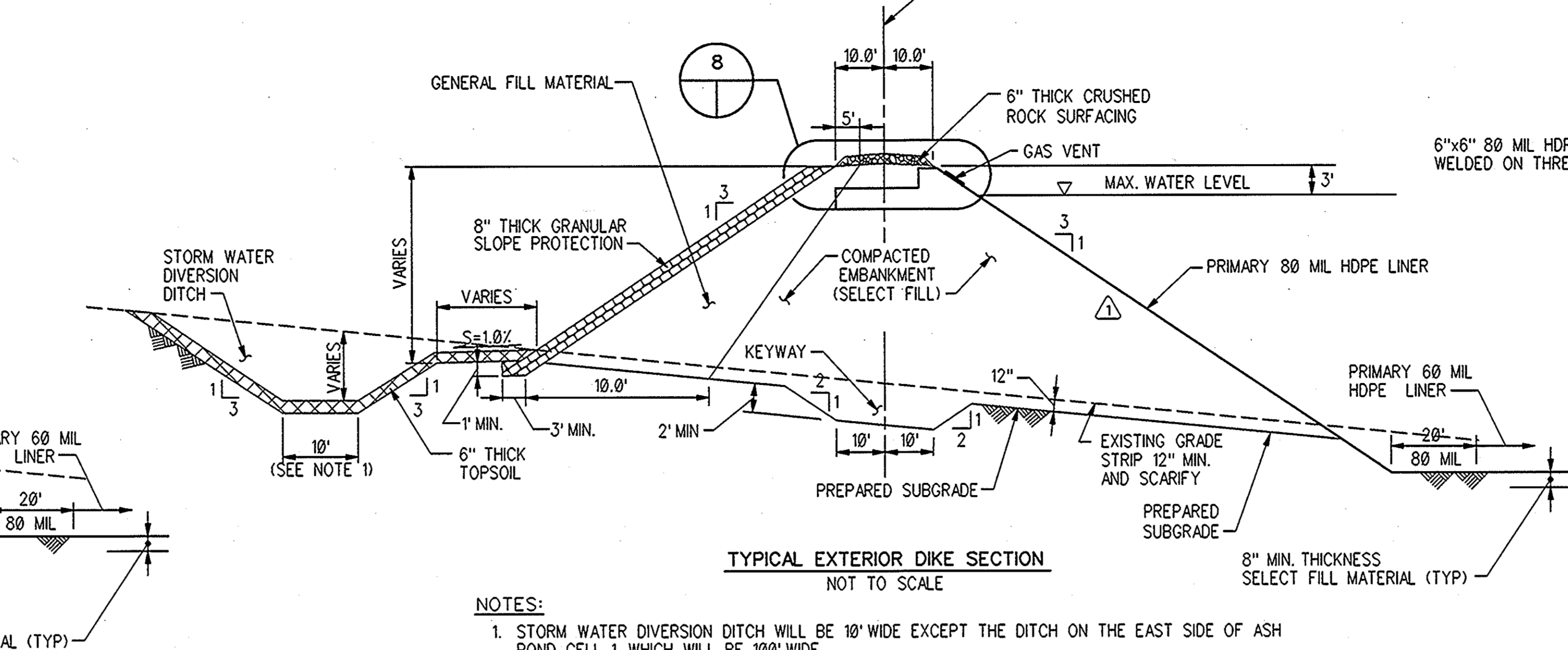
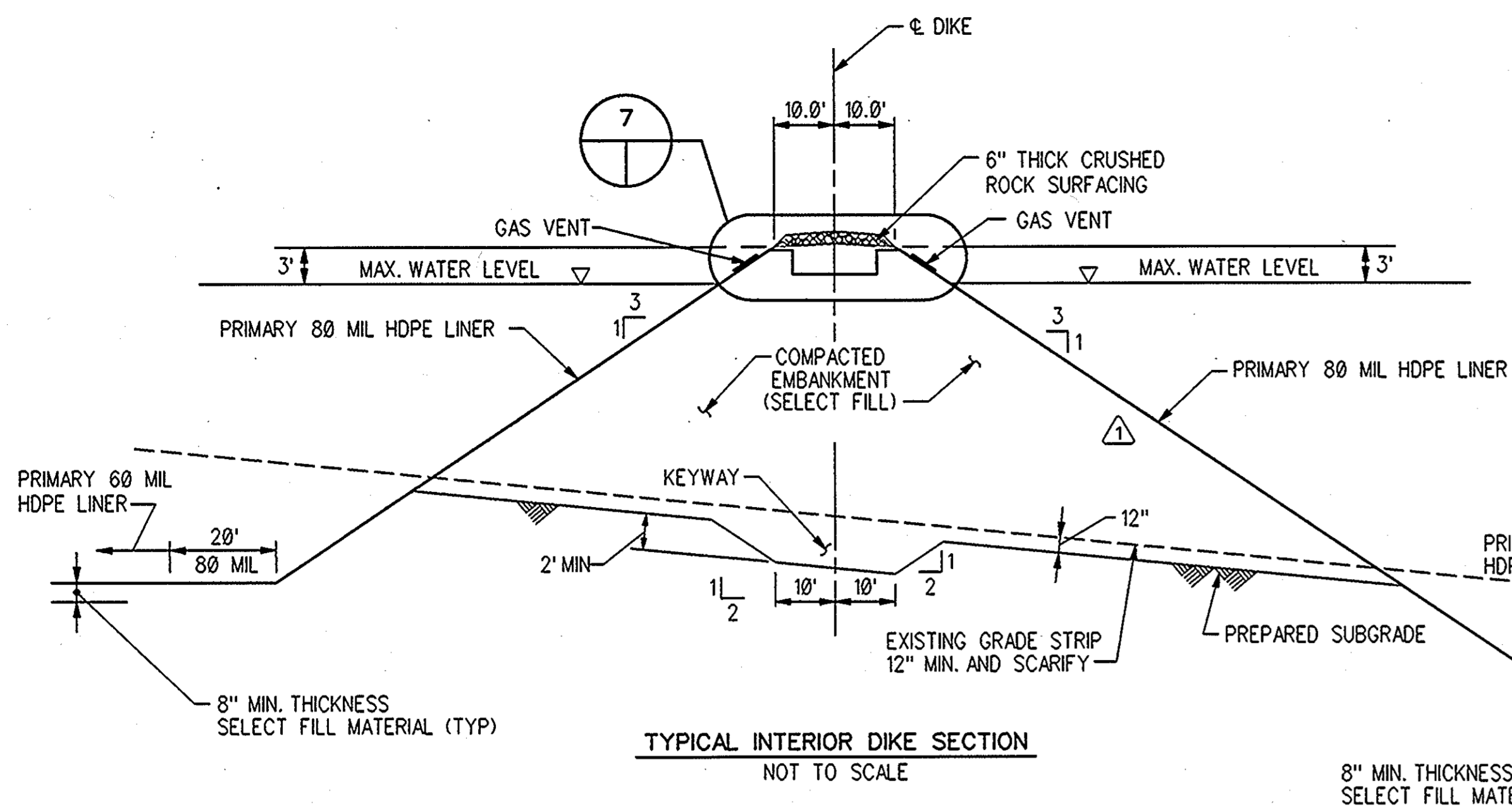


no.	date	by	revision
0	3-10-94	TLL	ISSUED TO OWNER FOR BID
1	9-20-94	TLL	ISSUED AS BID
1	11-15-94	DLM	REMOVED SECONDARY LINER DETAILS
1	11-18-94	TLL	REVISED PER C.O.#2
1	1-27-95	TLL	REVISION TO C.O.#2
2	4-18-96	DLM	CONFORMING TO CONSTRUCTION RECORDS



**Burns & McDonnell**

date: JULY 29, 1992 detailed: D. MADDOCK  
 designed: M. FRERKING checked: T. LARSON

**AEPCO ARIZONA ELECTRIC POWER COOPERATIVE, INC. APACHE STATION**  
 COMBUSTION WASTE DISPOSAL FACILITY  
 WASTE DISPOSAL PONDS AND APPURTENANCES CONSTRUCTION  
 WASTE POND DIKE CROSS SECTIONS AND LINER DETAILS

project: 91-033-1-010 contract: 923001-2  
 drawing: Y12 - 2  
 sheet: 12 of 27