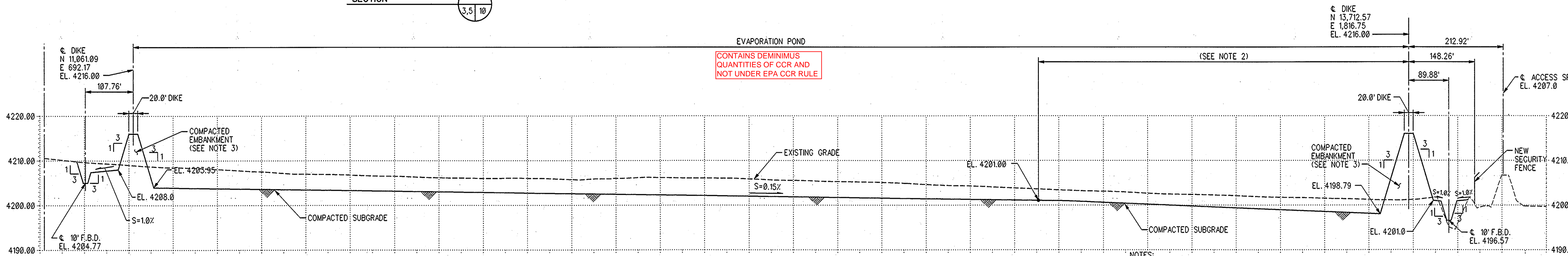
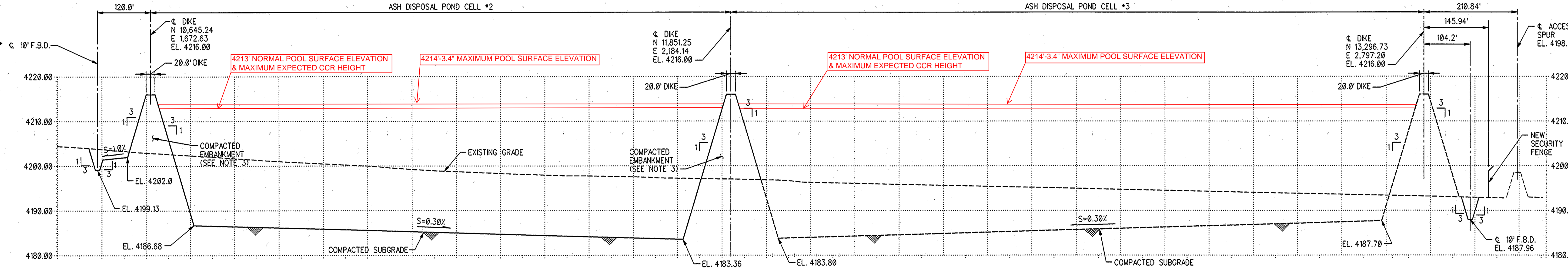


SECTION A 3.5/10

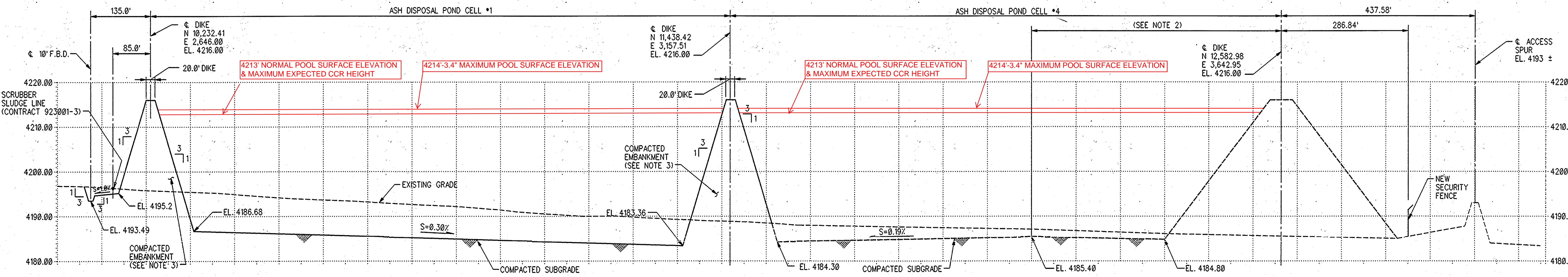


SECTION B 4.6/10

NOTES:
 1. ALL INTERIOR DIKE SIDE SLOPES SHALL BE LINED WITH AN 80 MIL HDPE LINER, AND THE ENTIRE POND BOTTOM SHALL BE LINED WITH A 60 MIL HDPE LINER. SECONDARY 60 MIL HDPE LINER SHALL BE INSTALLED WHERE INDICATED IN PLAN DRAWINGS. ALL EXTERIOR DIKE SLOPES RECEIVE 8" THICK GRANULAR SLOPE PROTECTION AND ALL DIKE TOPS RECEIVE 6" THICK CRUSHED ROCK SURFACING.
 2. ADJUST POND BOTTOM SLOPE TO MAINTAIN A MINIMUM OF 1 FOOT BELOW EXISTING GRADE IN AREAS WHERE POND BOTTOM SLOPE ENCRONES UPON THE TOPSOIL OR CREATES A FILL AREA.
 3. ALL SECTION ELEVATIONS ARE TOP OF SUBGRADE OR TOP OF COMPACTED EMBANKMENT UNLESS OTHERWISE INDICATED. LINER, GRANULAR SLOPE PROTECTION, KEYWAY AND CRUSHED ROCK SURFACING SHALL BE AS DETAILED ON DWG. Y12.



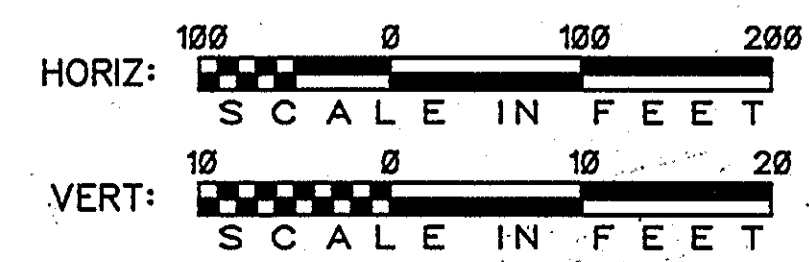
SECTION C 4.6/10



SECTION D 4.6/10

Scale For Microfilm
Inches

Scale For Microfilm
Inches



no.	date	by	revision
0	3-10-94	TLL	ISSUED TO OWNER FOR BID
	9-20-94	TLL	ISSUED AS BID
	4-8-96	DLM	CONFORMING TO CONSTRUCTION RECORDS

Burns & McDonnell

date: JULY 29, 1992 detailed: D. MADDOCK
 designed: M. FRERKING checked: T. LARSON

AEP CO
ARIZONA ELECTRIC POWER COOPERATIVE, INC.
APACHE STATION
 COMBUSTION WASTE DISPOSAL FACILITY
 WASTE DISPOSAL PONDS AND APPURTENANCES CONSTRUCTION

GRADING SECTIONS
 project: 91-033-1-010 contract: 923001-2
 drawing: Y10 rev: 0
 sheet: of sheets